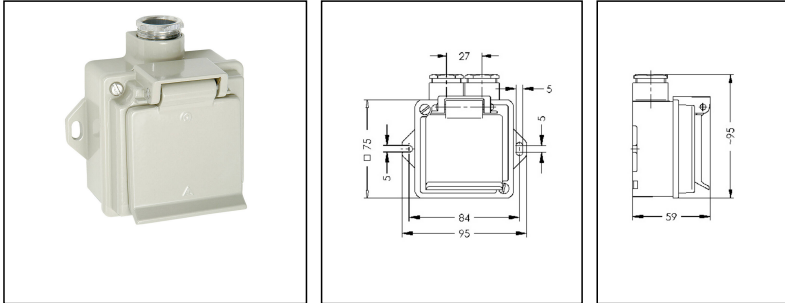


## Schuko-socket 7229419 - SE

SCHUKO socket 16A 250V, aluminium, RAL 7032, IP44



Products may differ in size, colour and appearance to those shown. If you require further information or customisation, please contact us directly.



<b>WISKA-Order no.</b>	50045459
<b>Type</b>	Schuko-socket 7229419 - SE
<b>Voltage</b>	250 V
<b>Current</b>	16 A
<b>Protection class</b>	IP44
<b>Material</b>	Cast aluminium
<b>Using for cable gland</b>	
<b>Type of cable gland</b>	PG16 / 12-14mm
<b>External dimensions LxWxH</b>	75x75x59mm
<b>Socket insert</b>	SCHUKO
<b>Terminals/poles</b>	2-pole + E
<b>Weight</b>	0,26 kg
<b>Colour</b>	RAL 7032
<b>Mounting</b>	Surface mounting
<b>Variations</b>	on request
<b>Tariff number</b>	85366990

Equipment:

- Aluminium pressure screws PG 16
- Hinged flip cover
- Stainless steel spring

### Spare parts

<b>P924000 Schuko socket insert - SE</b>	50046012
--	----------

Your Contact:

**WISKA Hoppmann GmbH**  
 Kisdorfer Weg 28 · 24568 Kaltenkirchen · Germany  
 ☎ +49-4191-508-0 · 📠 +49-4191-508-209  
 contact@wiska.de · www.wiska.com

23.05.2026

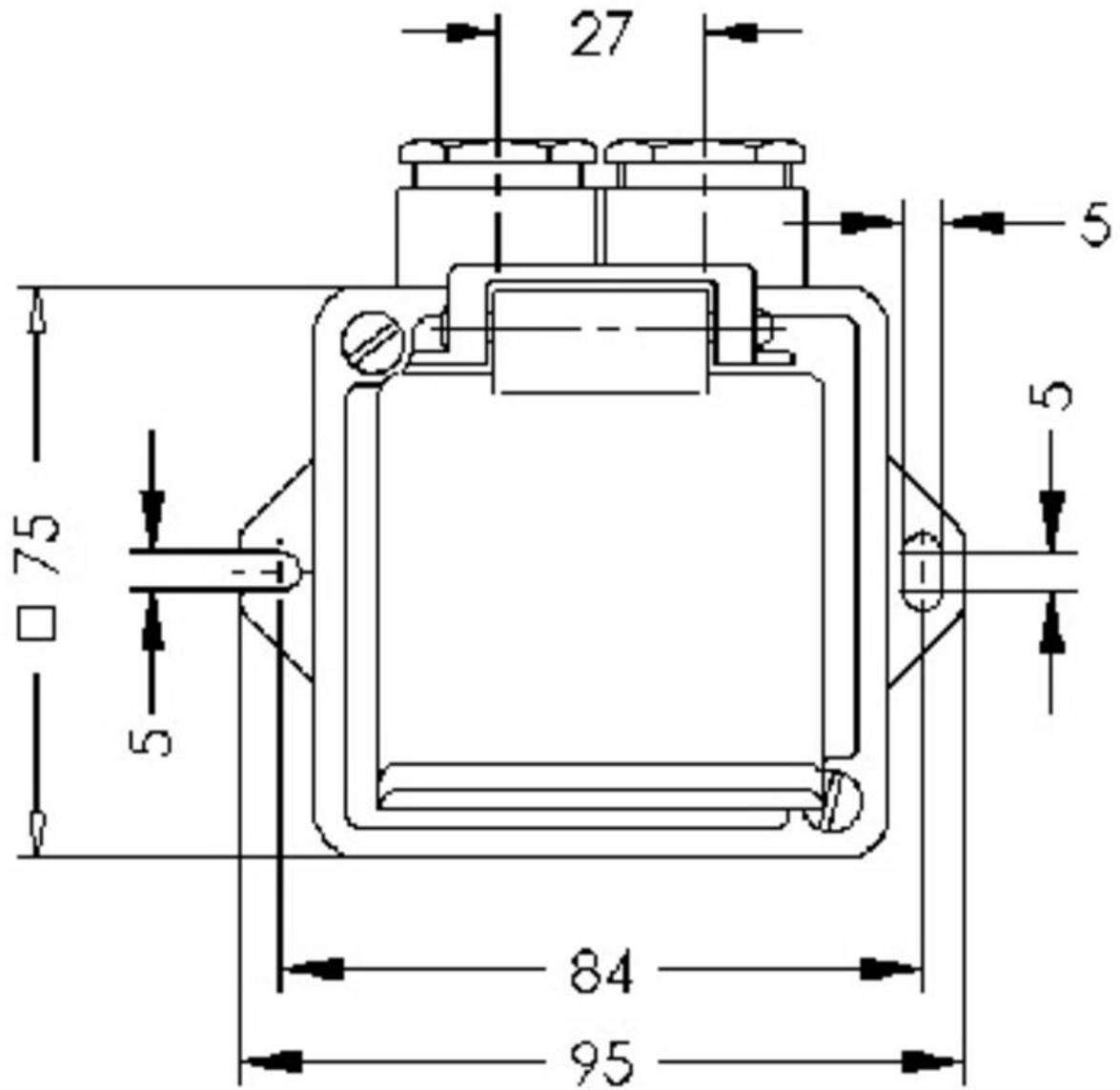
Your Contact:

**WISKA Hoppmann GmbH**

Kisdorfer Weg 28 · 24568 Kaltenkirchen · Germany

☎ +49-4191-508-0 · 📠 +49-4191-508-209

contact@wiska.de · www.wiska.com



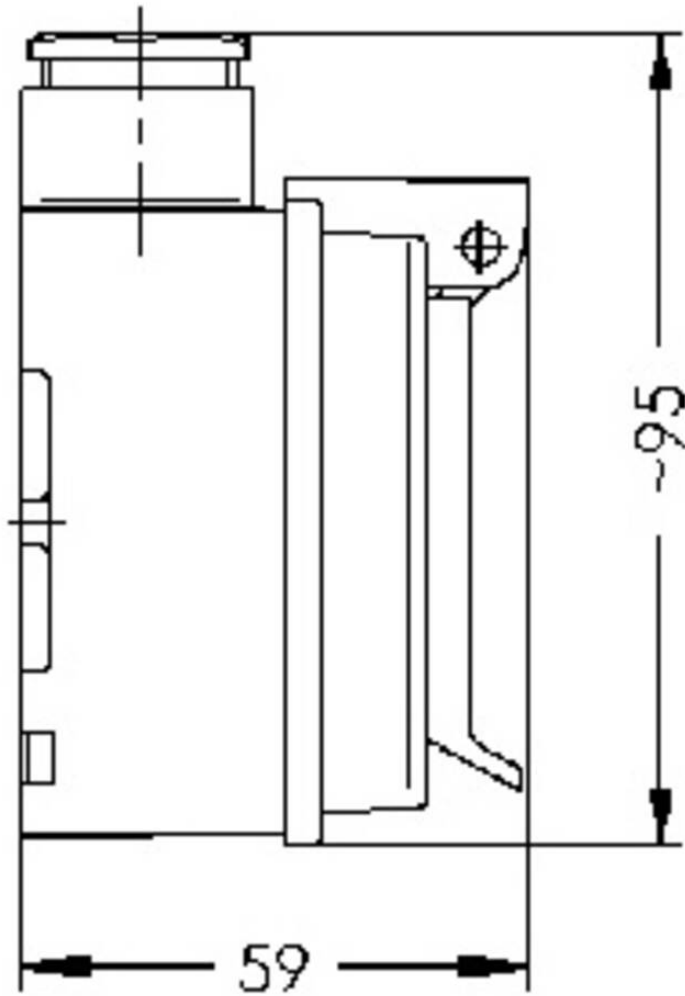
Your Contact:

**WISKA Hoppmann GmbH**

Kisdorfer Weg 28 · 24568 Kaltenkirchen · Germany

☎ +49-4191-508-0 · 📠 +49-4191-508-209

✉ contact@wiska.de · 🌐 www.wiska.com



Your Contact:

**WISKA Hoppmann GmbH**

Kisdorfer Weg 28 · 24568 Kaltenkirchen · Germany

☎ +49-4191-508-0 · 📠 +49-4191-508-209

contact@wiska.de · www.wiska.com