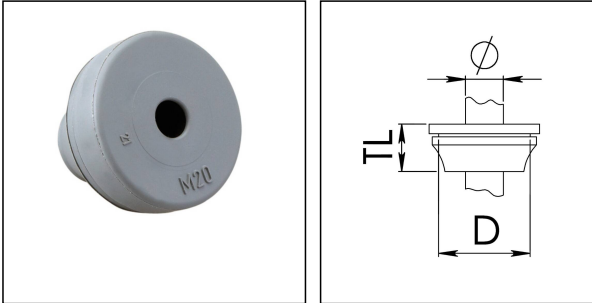


FD 20 SG

FLIP cable grommet, EPDM, RAL 7001, M20 + Pg13,5



Products may differ in size, colour and appearance to those shown. If you require further information or customisation, please contact us directly.



Material	EPDM
Temp. range min	-40 °C
Temp. range max	110 °C
Protection class	IP66 / IP67
Thread type	M
Ø Connection thread D	20
Ø cable diameter min	8 mm
Ø cable diameter max	13 mm
Total length TL	20 mm
Ø Drilling	20 mm - 21 mm
Wall thickness S	1 mm - 4 mm
Product Color	RAL 7001
Order no. RAL 7001	50062772
Type	FD 20 SG
Packing unit	50
EAN number	4007685627726
Tariff number	40169300
ETIM-Classification	EC000451

26.06.2026

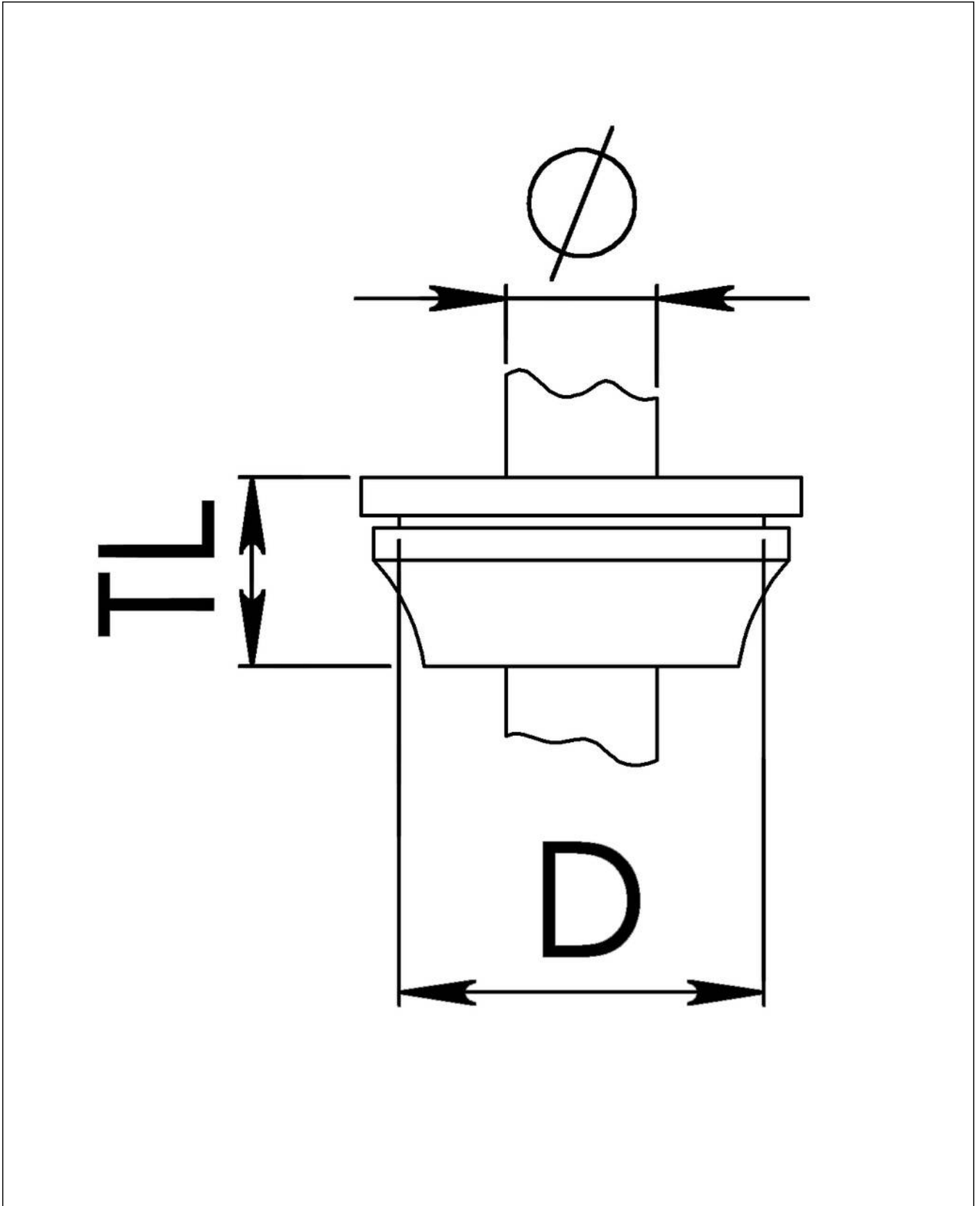
Your Contact:

WISKA Hoppmann GmbH

Kisdorfer Weg 28 · 24568 Kaltenkirchen · Germany

☎ +49-4191-508-0 · 📠 +49-4191-508-209

contact@wiska.de · www.wiska.com



Your Contact:

WISKA Hoppmann GmbH

Kisdorfer Weg 28 · 24568 Kaltenkirchen · Germany

☎ +49-4191-508-0 · 📠 +49-4191-508-209

contact@wiska.de · www.wiska.com