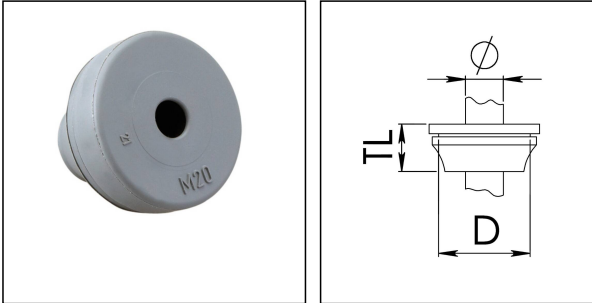


FD 40 SG

FLIP cable grommet, EPDM, RAL 7001, M40



Products may differ in size, colour and appearance to those shown. If you require further information or customisation, please contact us directly.



Material	EPDM
Temp. range min	-40 °C
Temp. range max	110 °C
Protection class	IP66 / IP67
Thread type	M
Ø Connection thread D	40
Ø cable diameter min	19 mm
Ø cable diameter max	28 mm
Total length TL	30 mm
Ø Drilling	40 mm - 41 mm
Wall thickness S	1 mm - 4 mm
Product Color	RAL 7001
Order no. RAL 7001	50062775
Type	FD 40 SG
Packing unit	25
EAN number	4007685627757
Tariff number	40169300
ETIM-Classification	EC000451

26.06.2026

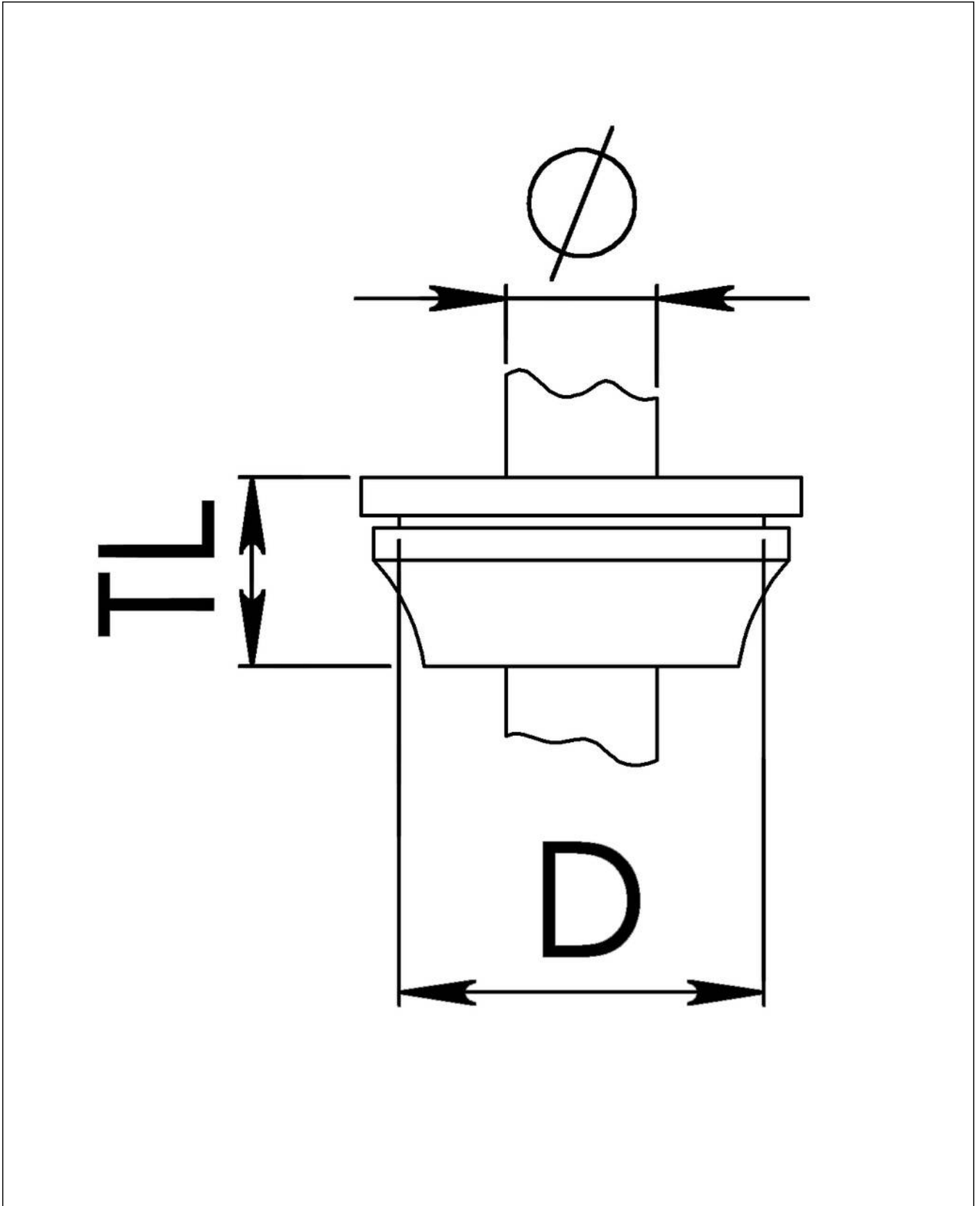
Your Contact:

WISKA Hoppmann GmbH

Kisdorfer Weg 28 · 24568 Kaltenkirchen · Germany

☎ +49-4191-508-0 · 📠 +49-4191-508-209

contact@wiska.de · www.wiska.com



Your Contact:

WISKA Hoppmann GmbH

Kisdorfer Weg 28 · 24568 Kaltenkirchen · Germany

☎ +49-4191-508-0 · 📠 +49-4191-508-209

contact@wiska.de · www.wiska.com