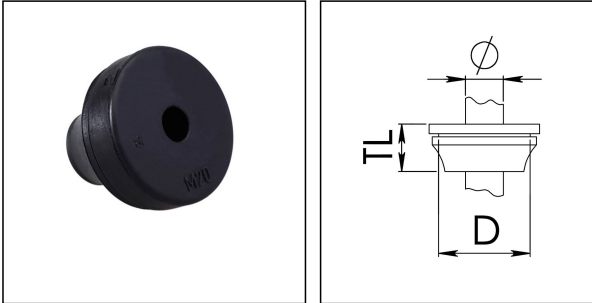


FD 16 BK

FLIP cable grommet, EPDM, RAL 9005, M16



Products may differ in size, colour and appearance to those shown. If you require further information or customisation, please contact us directly.



Material	EPDM
Temp. range min	-40 °C
Temp. range max	110 °C
Protection class	IP66 / IP67
Thread type	M
Ø Connection thread D	16
Ø cable diameter min	5 mm
Ø cable diameter max	9 mm
Total length TL	18 mm
Ø Drilling	15 mm - 17 mm
Wall thickness S	1 mm - 4 mm
Product Color	RAL 9005
Order no. RAL 9005	50062892
Type	FD 16 BK
Packing unit	50
EAN number	4007685628921
Tariff number	40169300
ETIM-Classification	EC000451

26.06.2026

Your Contact:

WISKA Hoppmann GmbH

Kisdorfer Weg 28 · 24568 Kaltenkirchen · Germany

☎ +49-4191-508-0 · 📠 +49-4191-508-209

contact@wiska.de · www.wiska.com

