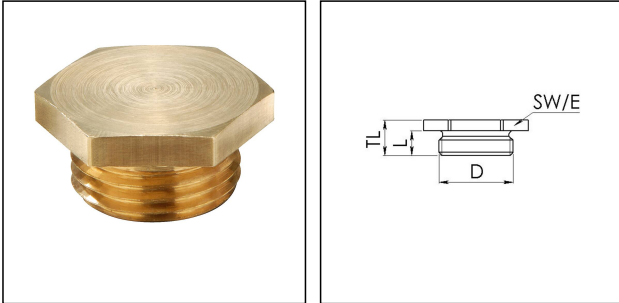


VSM 40

Stop end, brass similar to DIN 89284, M40



Products may differ in size, colour and appearance to those shown. If you require further information or customisation, please contact us directly.



Material	Brass
Temp. range min	-150 °C
Temp. range max	250 °C
Protection class	IP54
Thread type	M
Ø Connection thread D	40
Lead	1,5
Length screw-in thread L	14 mm
External diameter ED	46 mm
Key width SW	22 mm
Total length TL	22 mm
Advice	* Similar to DIN 89284
Surface	Bright
Order no. bright	50084670
Form	A
Type	VSM 40
Packing unit	1
ETIM-Classification	EC000032

Remarks:

- with O-ring IP66/68

Recommended accessories

ORD-E 40	10064702
-----------------	----------

Your Contact:

WISKA Hoppmann GmbH

Kisdorfer Weg 28 · 24568 Kaltenkirchen · Germany

☎ +49-4191-508-0 · 📠 +49-4191-508-209

contact@wiska.de · www.wiska.com

08.07.2026

Your Contact:

WISKA Hoppmann GmbH

Kisdorfer Weg 28 · 24568 Kaltenkirchen · Germany

☎ +49-4191-508-0 · 📠 +49-4191-508-209

contact@wiska.de · www.wiska.com



Your Contact:

WISKA Hoppmann GmbH

Kisdorfer Weg 28 · 24568 Kaltenkirchen · Germany

☎ +49-4191-508-0 · 📠 +49-4191-508-209

contact@wiska.de · www.wiska.com