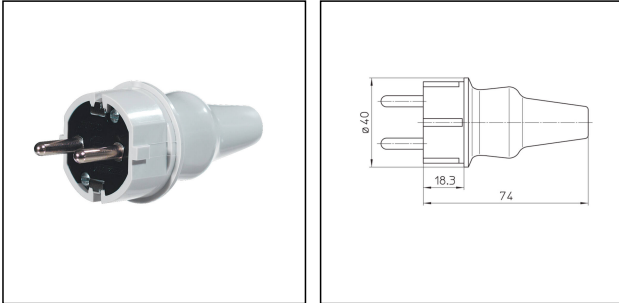


PH-SP16 SCHUKO-plug - ME

Schuko plug 16A 230V, plastic, RAL 7035, IP44



Products may differ in size, colour and appearance to those shown. If you require further information or customisation, please contact us directly.

WISKA-Order no.	50101100
Type	PH-SP16 SCHUKO-plug - ME
Material	Plastic
Voltage	230 V
Type of Voltage	AC
Current	16 A
Protection class	IP44
plug insert	SCHUKO
Terminals/poles	2-pole + E
Colour	Grey white similar to RAL 9002
Weight	0,06 kg
Tariff number	85366990

12.05.2026

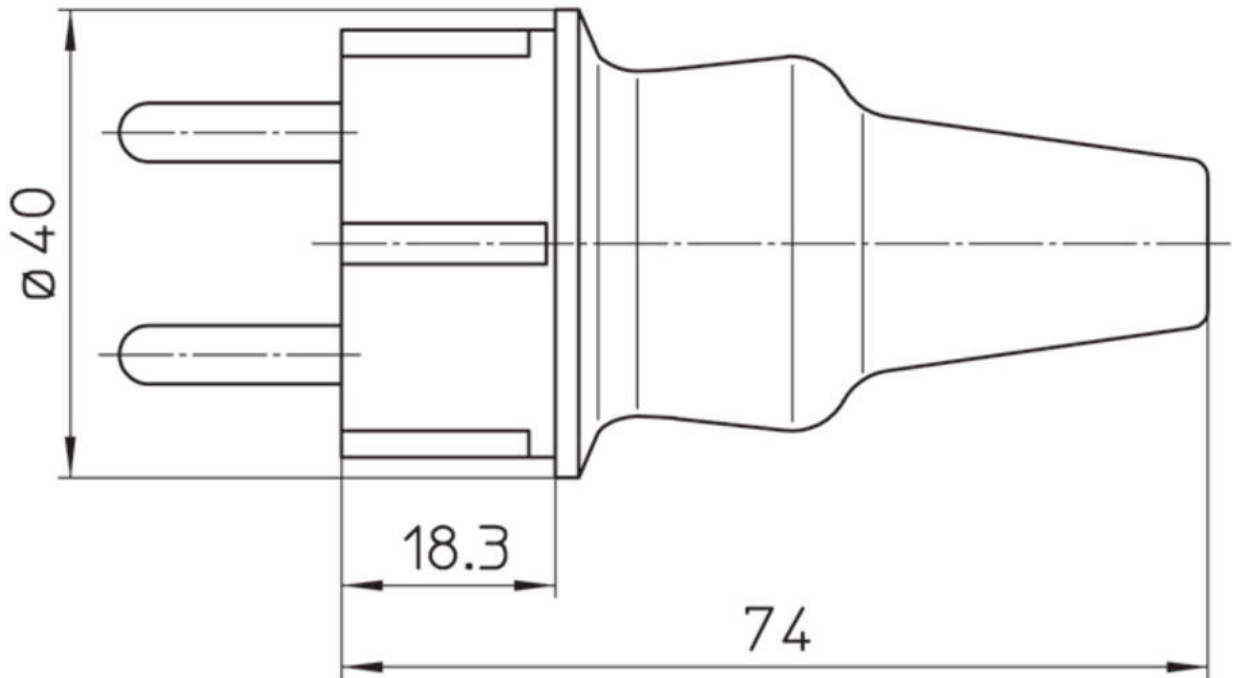
Your Contact:

WISKA Hoppmann GmbH

Kisdorfer Weg 28 · 24568 Kaltenkirchen · Germany

☎ +49-4191-508-0 · 📠 +49-4191-508-209

contact@wiska.de · www.wiska.com



Your Contact:

WISKA Hoppmann GmbH

Kisdorfer Weg 28 · 24568 Kaltenkirchen · Germany

☎ +49-4191-508-0 · 📠 +49-4191-508-209

contact@wiska.de · www.wiska.com