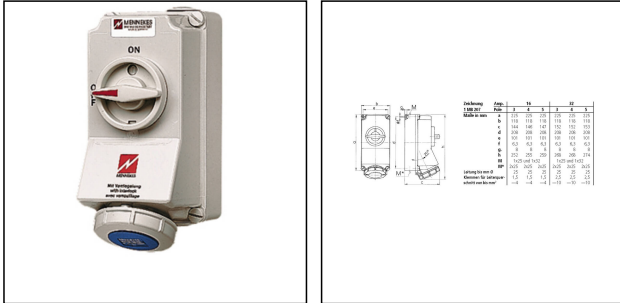


**SO-32A-FS-230V-3P-6H-IP67-K03-C01-A02**

CEE Wall mounted receptacle switched, 32A 230V 6h, plastic, IP67



Products may differ in size, colour and appearance to those shown. If you require further information or customisation, please contact us directly.

<b>WISKA-Order no.</b>	50101960
<b>Type</b>	SO-32A-FS-230V-3P-6H-IP67-K03-C01-A02
<b>Material</b>	Plastic
<b>Current</b>	32 A
<b>Voltage max. (V)</b>	230 V
<b>Protection class</b>	IP67
<b>Number of sockets</b>	1
<b>Temp. range min</b>	-25 °C
<b>Temp. range max</b>	45 °C
<b>Clock face position</b>	6h
<b>Socket insert</b>	2 - poles + PE
<b>Mounting</b>	Surface mounting
<b>Weight</b>	1,17 kg
<b>Tariff number</b>	85366990

Remarks:

Contact: standard

Connection technology: Screw terminals

- can be switched off
- with DUO-mechanical interlock
- made of plastic
- receptacles can be padlocked
- without cable glands

Pre-stamping for cable entry:

1x M32, 1x M25

Your Contact:

**WISKA Hoppmann GmbH**

Kisdorfer Weg 28 · 24568 Kaltenkirchen · Germany

☎ +49-4191-508-0 · 📠 +49-4191-508-209

contact@wiska.de · www.wiska.com

26.06.2026

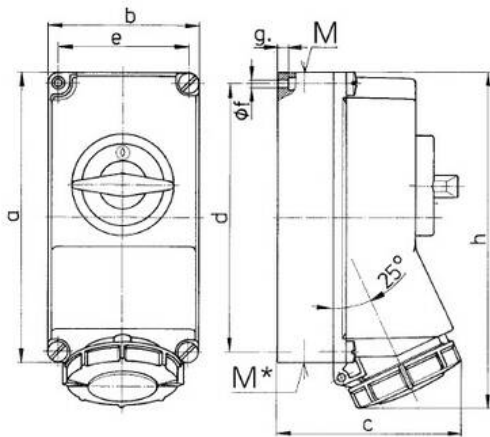
Your Contact:

**WISKA Hoppmann GmbH**

Kisdorfer Weg 28 · 24568 Kaltenkirchen · Germany

☎ +49-4191-508-0 · 📠 +49-4191-508-209

contact@wiska.de · www.wiska.com



Zeichnung	Amp. Pole	16			32		
		3	4	5	3	4	5
1 MB 207							
Maße in mm	a	225	225	225	225	225	225
	b	118	118	118	118	118	118
	c	144	146	147	152	152	153
	d	208	208	208	208	208	208
	e	101	101	101	101	101	101
	f	6,3	6,3	6,3	6,3	6,3	6,3
	g	8	8	8	8	8	8
	h	252	255	259	268	268	274
	M	1x25 und 1x32			1x25 und 1x32		
	M*	2x25	2x25	2x25	2x25	2x25	2x25
Leitung bis mm Ø		25	25	25	25	25	25
Klemmen für Leiterquer-		1,5	1,5	1,5	2,5	2,5	2,5
schnitt von bis mm <sup>2</sup>		—4	—4	—4	—10	—10	—10

Your Contact:

**WISKA Hoppmann GmbH**

Kisdorfer Weg 28 · 24568 Kaltenkirchen · Germany

☎ +49-4191-508-0 · 📠 +49-4191-508-209

contact@wiska.de · www.wiska.com