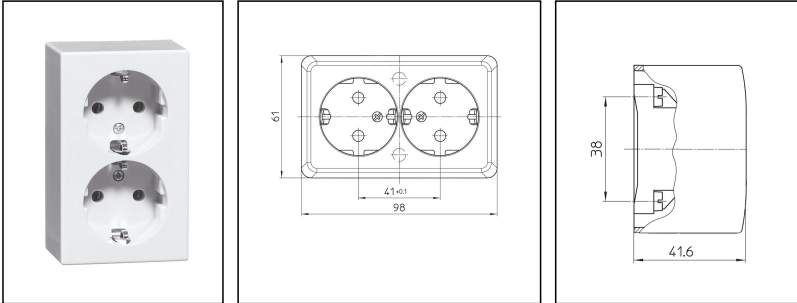


## PH-SSS-16D-NWT

SCHUKO double socket surface mounting 230V, plastic, white, IP20



Products may differ in size, colour and appearance to those shown. If you require further information or customisation, please contact us directly.



<b>WISKA-Order no.</b>	50102574
<b>Type</b>	PH-SSS-16D-NWT
<b>Voltage</b>	250 V
<b>Current</b>	16 A
<b>Protection class</b>	IP20
<b>Material</b>	Thermoplastic
<b>External dimensions LxWxH</b>	60x101x48mm
<b>Socket insert</b>	SCHUKO
<b>Terminals/poles</b>	2-pole + E
<b>Number of sockets</b>	2
<b>Weight</b>	0,1 kg
<b>Colour</b>	Pure white, similar RAL 9010
<b>Mounting</b>	Surface mounting
<b>Tariff number</b>	85366990

26.06.2026

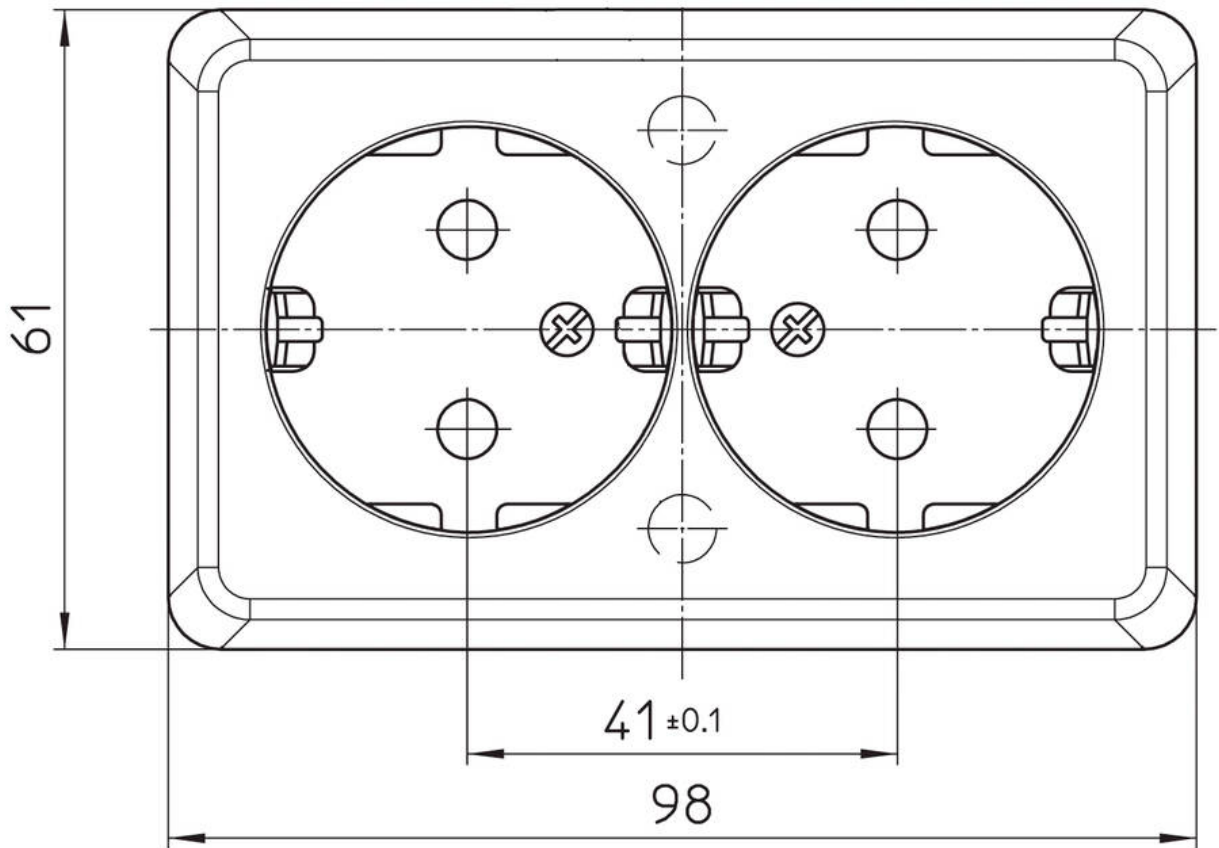
Your Contact:

**WISKA Hoppmann GmbH**

Kisdorfer Weg 28 · 24568 Kaltenkirchen · Germany

☎ +49-4191-508-0 · 📠 +49-4191-508-209

contact@wiska.de · www.wiska.com



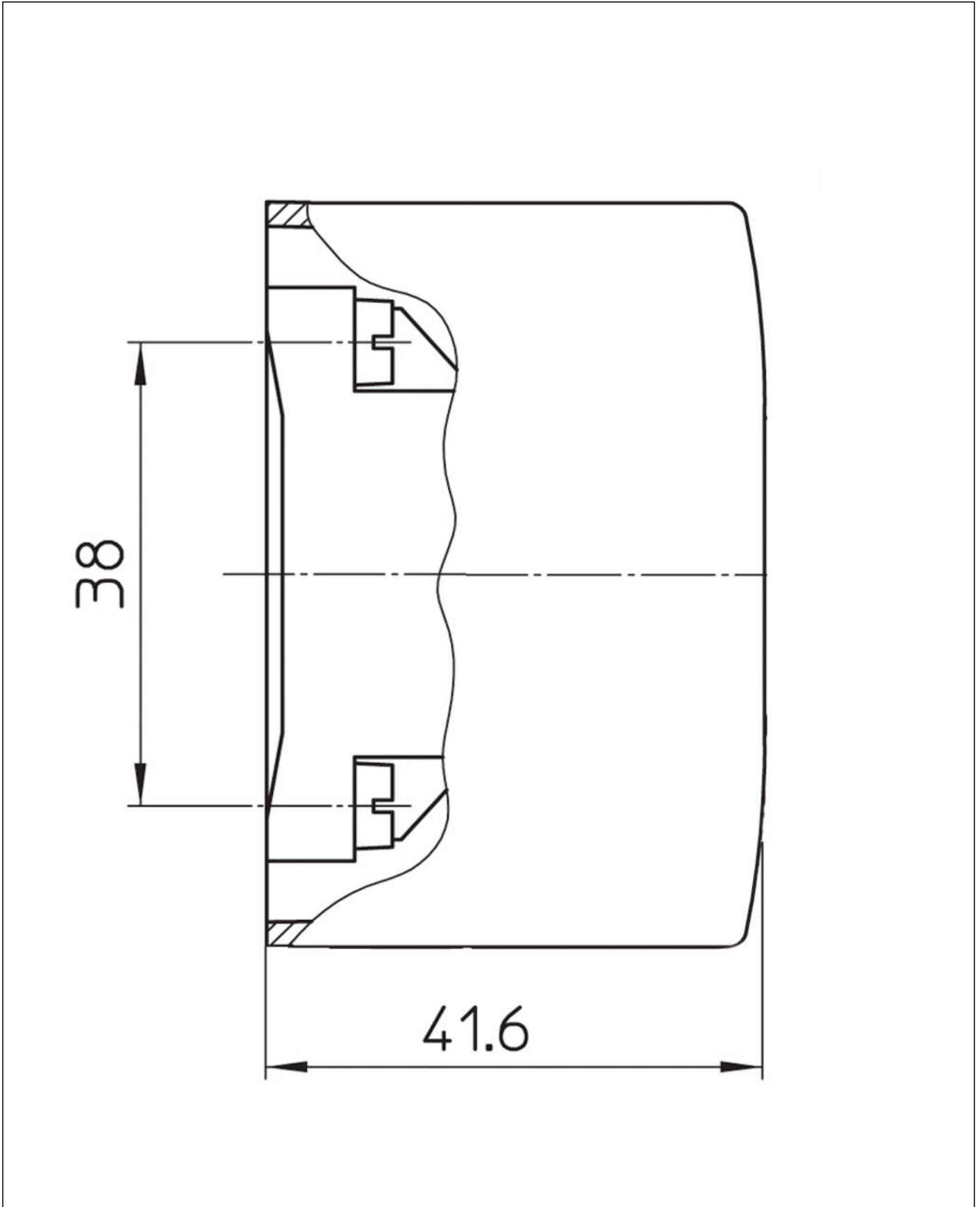
Your Contact:

**WISKA Hoppmann GmbH**

Kisdorfer Weg 28 · 24568 Kaltenkirchen · Germany

☎ +49-4191-508-0 · 📠 +49-4191-508-209

✉ contact@wiska.de · www.wiska.com



Your Contact:

**WISKA Hoppmann GmbH**

Kisdorfer Weg 28 · 24568 Kaltenkirchen · Germany

☎ +49-4191-508-0 · 📠 +49-4191-508-209

contact@wiska.de · www.wiska.com