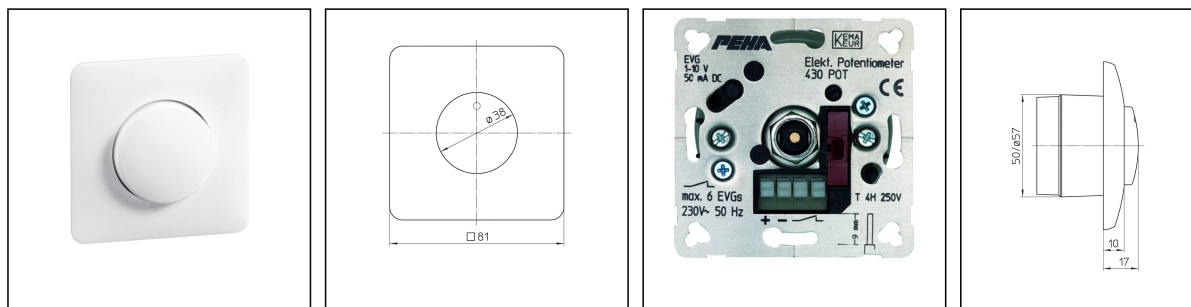


PH D 430 POT with cover + frame

Potentiometer 10A, plastic, white, IP20



Products may differ in size, colour and appearance to those shown. If you require further information or customisation, please contact us directly.



PEHA

WISKA-Order no.	50103142
Type	PH D 430 POT with cover + frame
Voltage	230 V
Material	Urea moulding compound
Colour	Pure white, similar RAL 9010
Weight	0,08 kg
Tariff number	85369010

Remarks:

Electronic potentiometer for the operation of electronic ballasts and dimmers
 suitable for max. 6 electronic ballast units
 max. Control voltage: 12VDC
 max. Control current: 50mA
 Switching contact: max. 10A
 Fuse: T 4 H 250V
 + Cover with knob, Duroplast, pure white
 + Frame, Duroplast, pure white

Recommended accessories

Switch box cavity wall, Kaiser 9061-00	50016285
---	----------

Spare parts

PH D 80.671.02 Frame 1-gang	50101281
PH D 80.610.02 HR Cover Dimmer/Poti	50105079

Your Contact:

WISKA Hoppmann GmbH
 Kisdorfer Weg 28 · 24568 Kaltenkirchen · Germany
 ☎ +49-4191-508-0 · 📠 +49-4191-508-209
 contact@wiska.de · www.wiska.com

23.05.2026

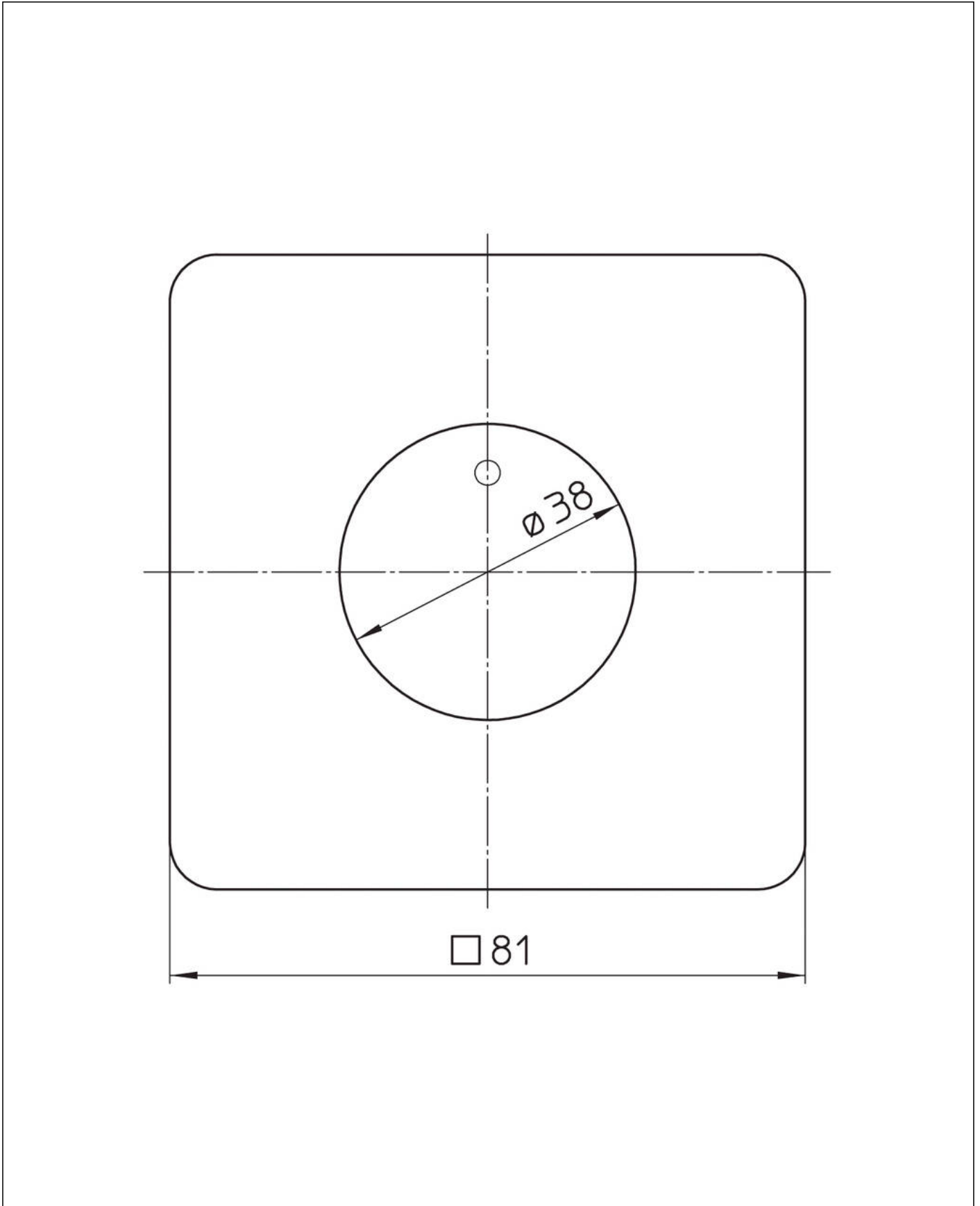
Your Contact:

WISKA Hoppmann GmbH

Kisdorfer Weg 28 · 24568 Kaltenkirchen · Germany

☎ +49-4191-508-0 · 📠 +49-4191-508-209

contact@wiska.de · www.wiska.com



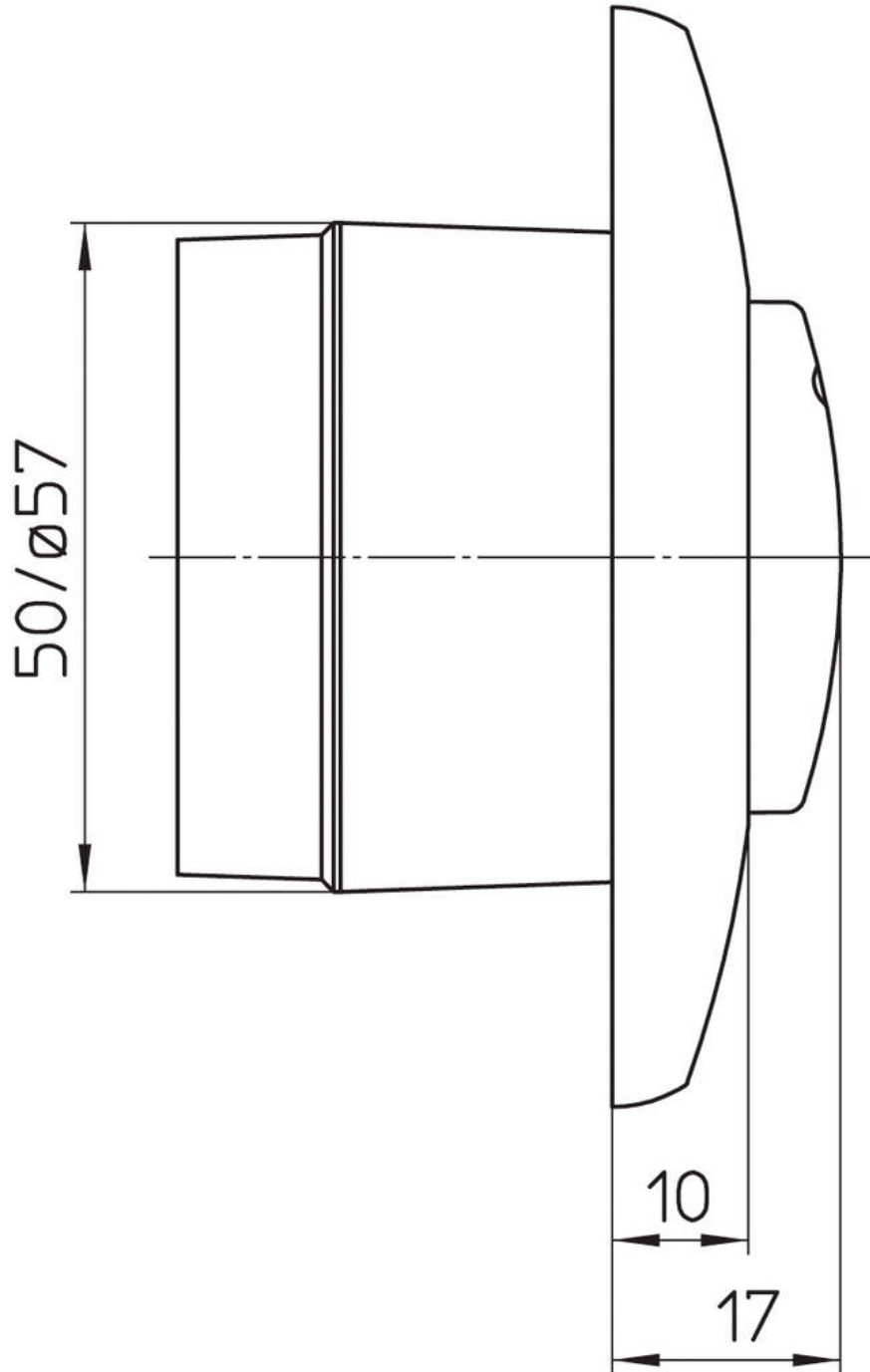
Your Contact:

WISKA Hoppmann GmbH

Kisdorfer Weg 28 · 24568 Kaltenkirchen · Germany

☎ +49-4191-508-0 · 📠 +49-4191-508-209

contact@wiska.de · www.wiska.com



Your Contact:

WISKA Hoppmann GmbH

Kisdorfer Weg 28 · 24568 Kaltenkirchen · Germany

☎ +49-4191-508-0 · 📠 +49-4191-508-209

contact@wiska.de · www.wiska.com