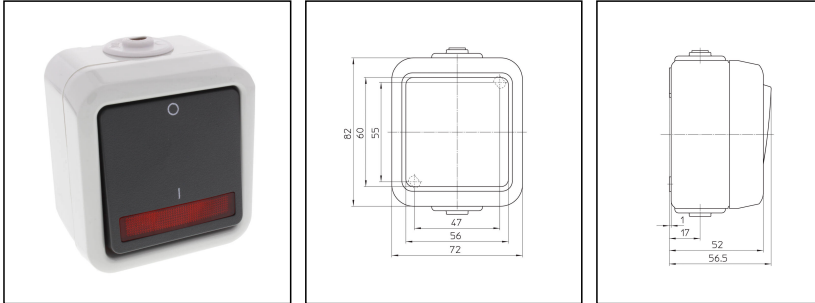


## PH D 622 WAB GLK

Rocker switch with control light surface mounting, plastic, grey, IP54



Products may differ in size, colour and appearance to those shown. If you require further information or customisation, please contact us directly.



|                         |                  |
|-------------------------|------------------|
| <b>WISKA-Order no.</b>  | 50103840         |
| <b>Type</b>             | PH D 622 WAB GLK |
| <b>Voltage</b>          | 250 V            |
| <b>Type of Voltage</b>  | AC               |
| <b>Current</b>          | 10 A             |
| <b>Protection class</b> | IP54             |
| <b>Material</b>         | Thermoplastic    |
| <b>Mounting</b>         | Surface mounting |
| <b>Type of switch</b>   | On-Off, 2-pole   |
| <b>Colour</b>           | Grey             |
| <b>Tariff number</b>    | 85369010         |

12.05.2026

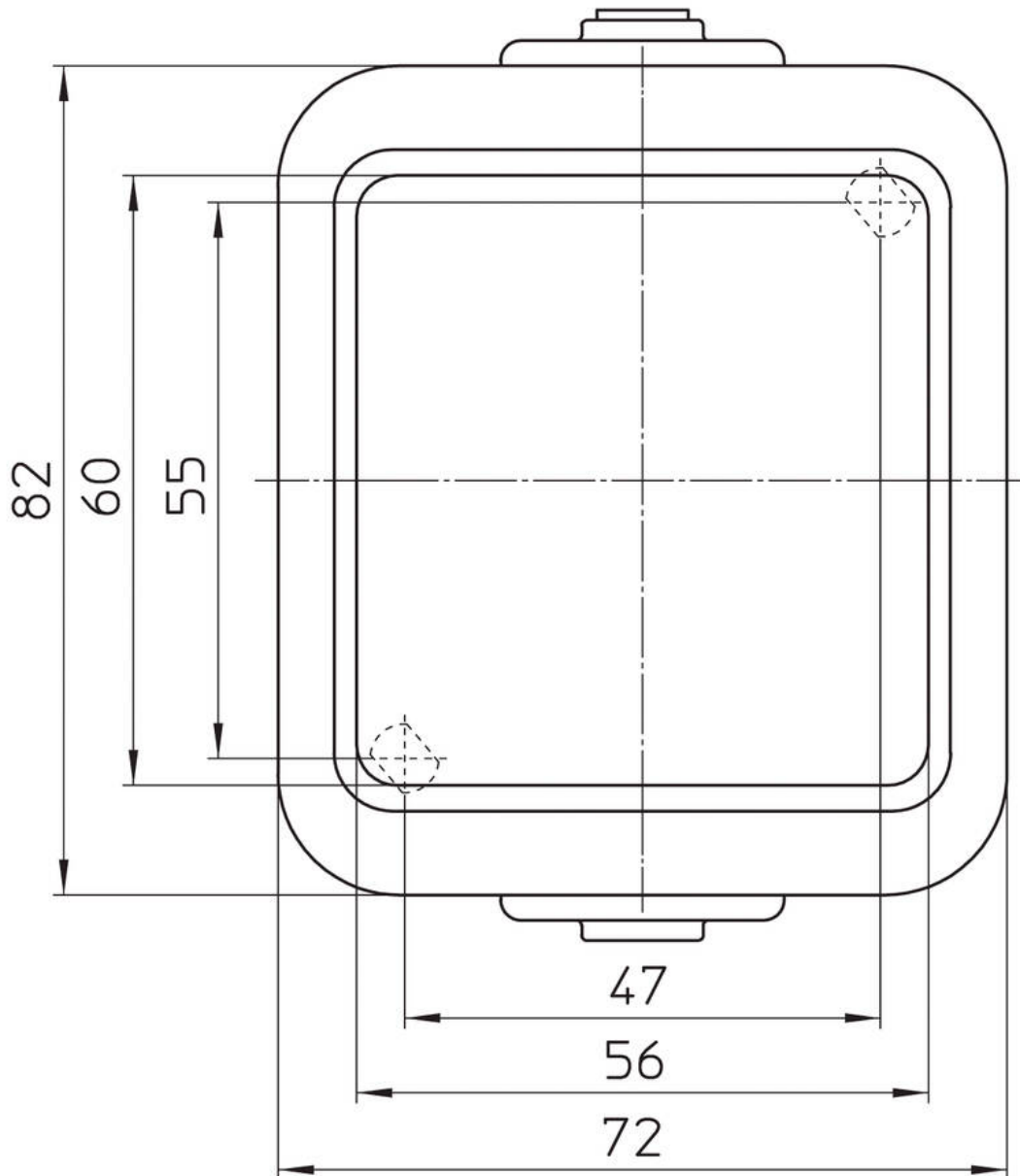
Your Contact:

**WISKA Hoppmann GmbH**

Kisdorfer Weg 28 · 24568 Kaltenkirchen · Germany

☎ +49-4191-508-0 · 📠 +49-4191-508-209

contact@wiska.de · www.wiska.com



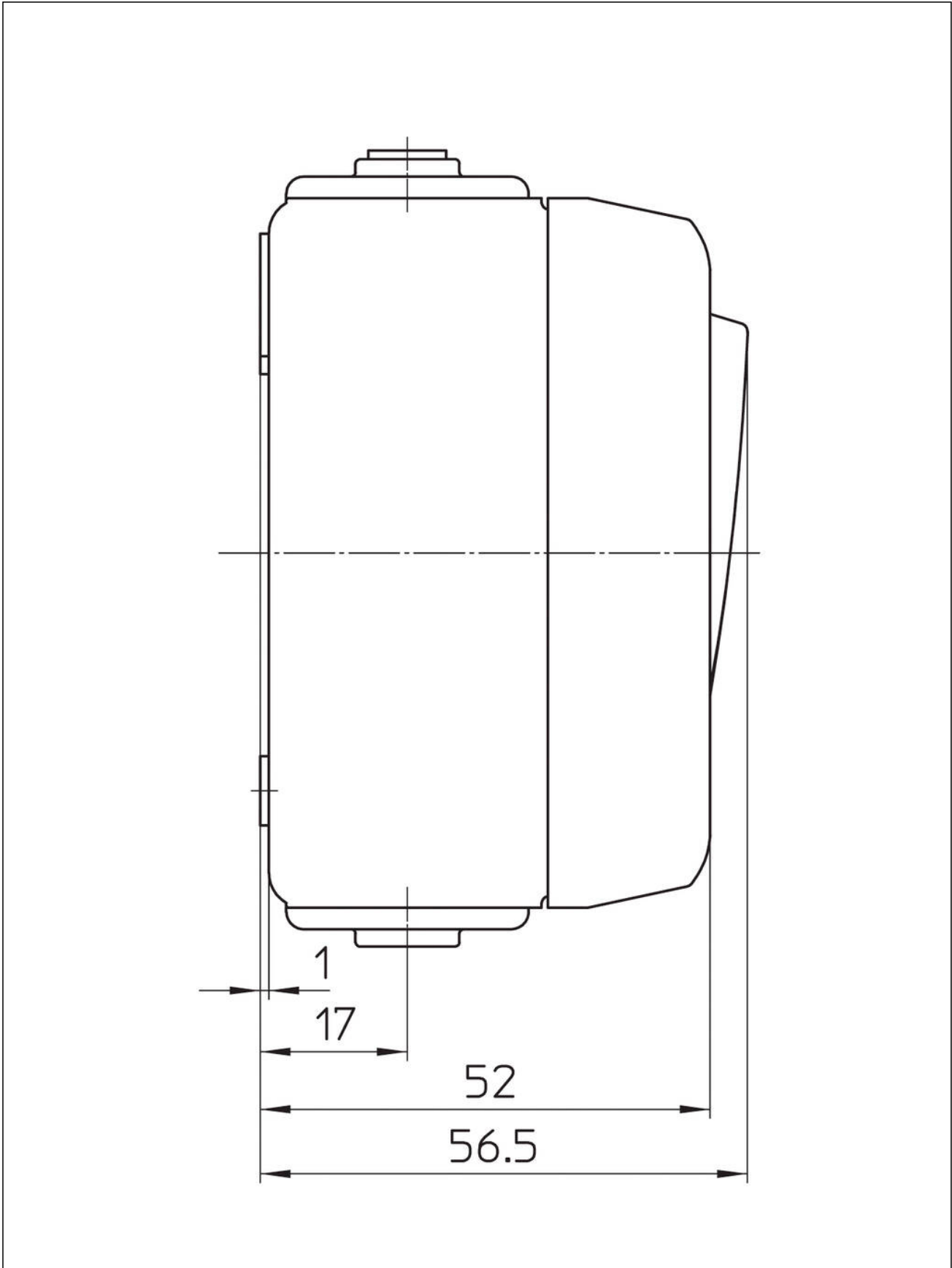
Your Contact:

**WISKA Hoppmann GmbH**

Kisdorfer Weg 28 · 24568 Kaltenkirchen · Germany

☎ +49-4191-508-0 · 📠 +49-4191-508-209

contact@wiska.de · www.wiska.com



Your Contact:

**WISKA Hoppmann GmbH**

Kisdorfer Weg 28 · 24568 Kaltenkirchen · Germany

☎ +49-4191-508-0 · 📠 +49-4191-508-209

contact@wiska.de · www.wiska.com