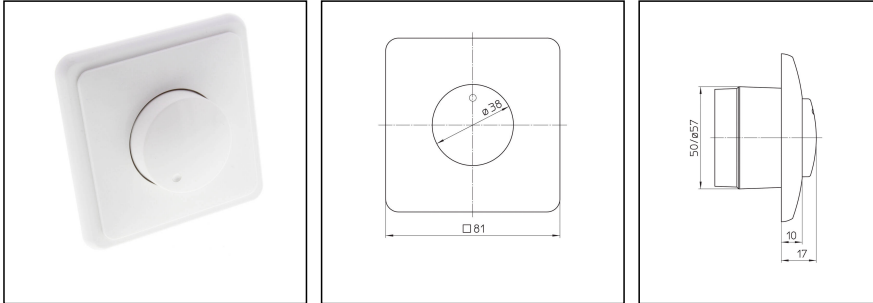


PH DIM 120W-50/60-NWT

LED dimmer 6-60W 230V 50/60Hz, plastic, white, IP20



Products may differ in size, colour and appearance to those shown. If you require further information or customisation, please contact us directly.



WISKA-Order no.	50105082
Type	PH DIM 120W-50/60-NWT
Voltage	240 V
Voltage max. (V)	240 V
Type of Voltage	AC / DC
Protection class	IP20
Material	Urea moulding compound
Mounting	Recessed mounting
Type of switch	Change-over, 2-pole
Colour	Pure white, similar RAL 9010
Tariff number	85369010

Remarks:

LED-Dimmer, IP20, 230/240V
 50/60Hz 6-60W LED, 6-120W Halogen,
 filament lamps, high voltage halogen
 lamps and other ohmic loads
 with central plate and frame
 Material: Duroplast
 Colour: pure white
 with screwless terminals

Recommended accessories

Switch box cavity wall, Kaiser 9061-00	50016285
---	----------

Your Contact:

WISKA Hoppmann GmbH
 Kisdorfer Weg 28 · 24568 Kaltenkirchen · Germany
 ☎ +49-4191-508-0 · 📠 +49-4191-508-209
 contact@wiska.de · www.wiska.com

Spare parts

PH D 80.671.02 Frame 1-gang	50101281
PH D 80.610.02 HR Cover Dimmer/Poti	50105079

07.07.2026

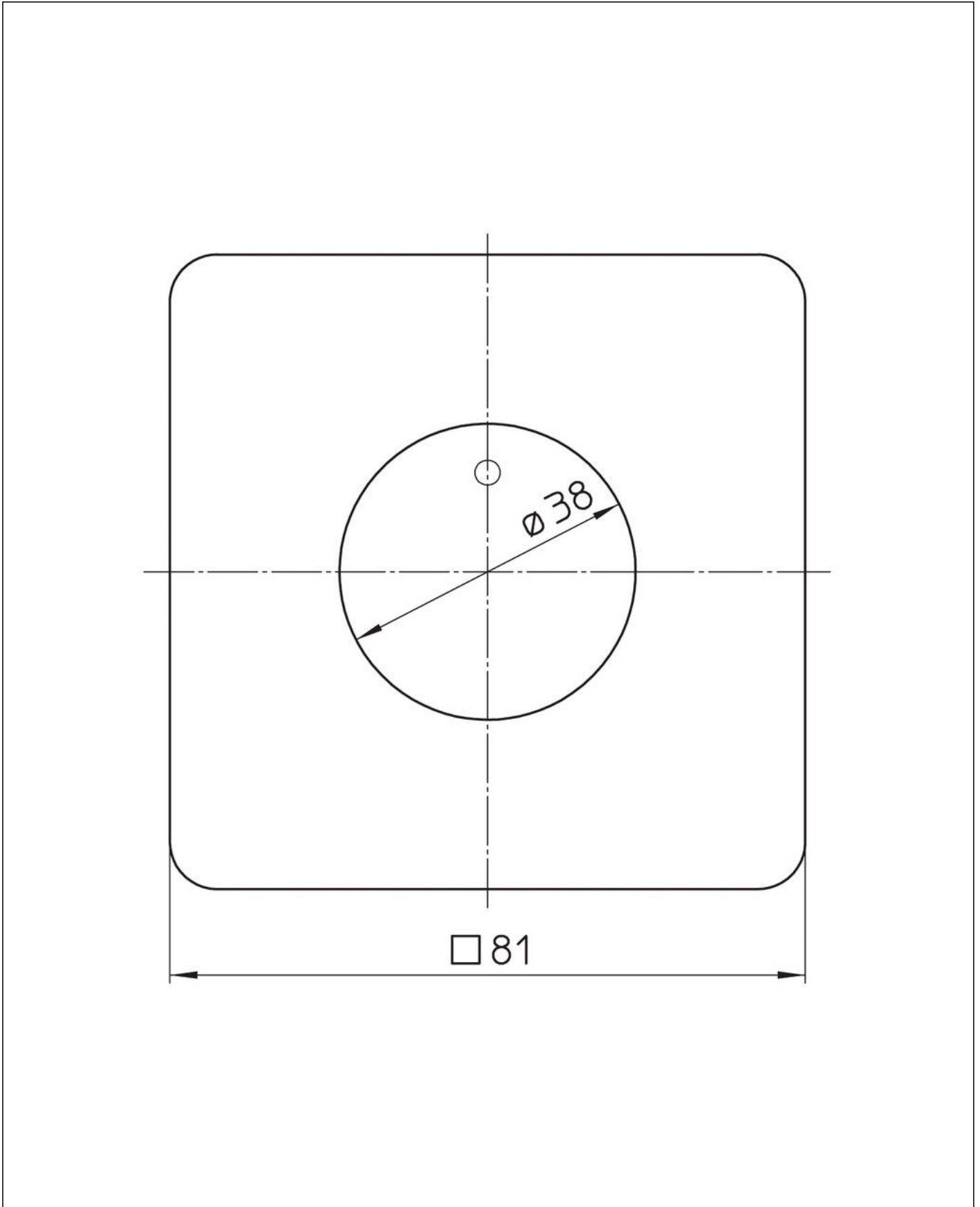
Your Contact:

WISKA Hoppmann GmbH

Kisdorfer Weg 28 · 24568 Kaltenkirchen · Germany

 +49-4191-508-0 ·  +49-4191-508-209

contact@wiska.de · www.wiska.com



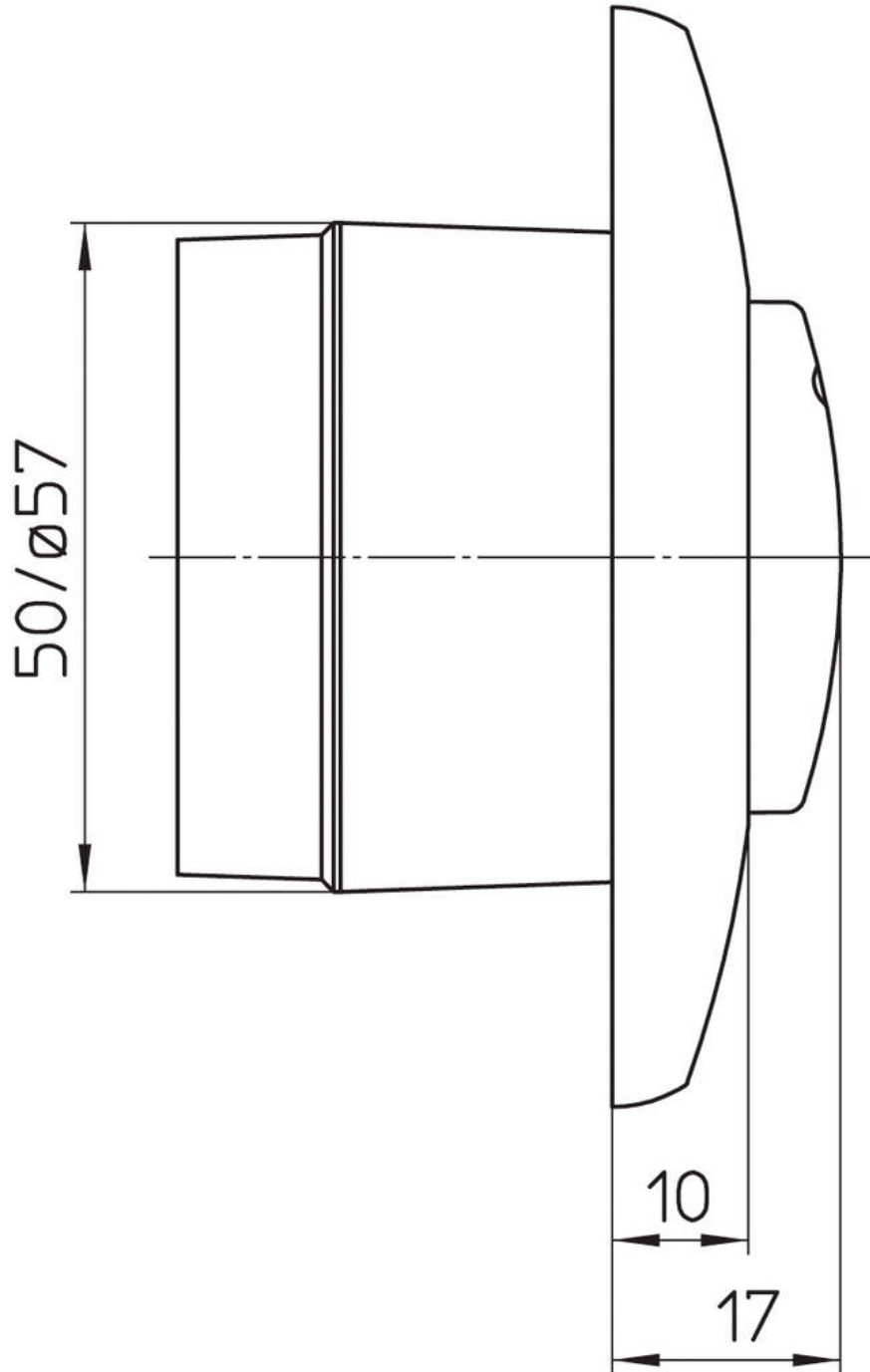
Your Contact:

WISKA Hoppmann GmbH

Kisdorfer Weg 28 · 24568 Kaltenkirchen · Germany

☎ +49-4191-508-0 · 📠 +49-4191-508-209

contact@wiska.de · www.wiska.com



Your Contact:

WISKA Hoppmann GmbH

Kisdorfer Weg 28 · 24568 Kaltenkirchen · Germany

☎ +49-4191-508-0 · 📠 +49-4191-508-209

contact@wiska.de · www.wiska.com