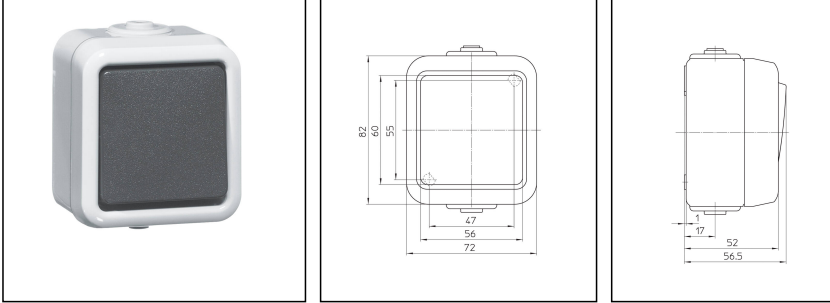


PH-RSS-10-1.2-WT

Rocker switch surface mounting, plastic, grey, IP54



Products may differ in size, colour and appearance to those shown. If you require further information or customisation, please contact us directly.

PEHA

WISKA-Order no.	50105478
Type	PH-RSS-10-1.2-WT
Voltage	250 V
Type of Voltage	AC
Current	10 A
Protection class	IP54
Material	Urea moulding compound
Mounting	Surface mounting
Type of switch	On-Off, 2-pole
Colour	Grey
Tariff number	85369010

12.05.2026

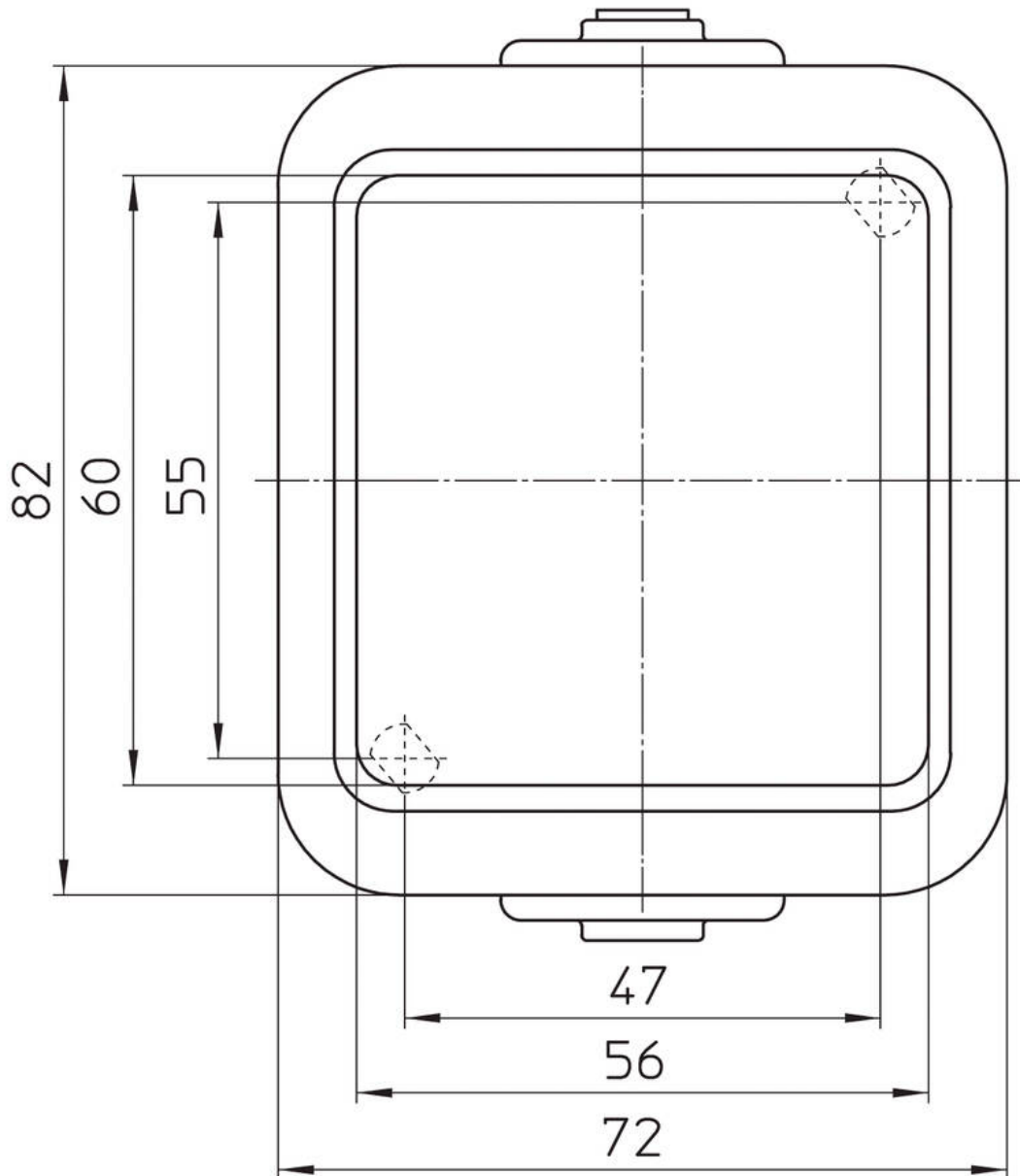
Your Contact:

WISKA Hoppmann GmbH

Kisdorfer Weg 28 · 24568 Kaltenkirchen · Germany

☎ +49-4191-508-0 · 📠 +49-4191-508-209

contact@wiska.de · www.wiska.com



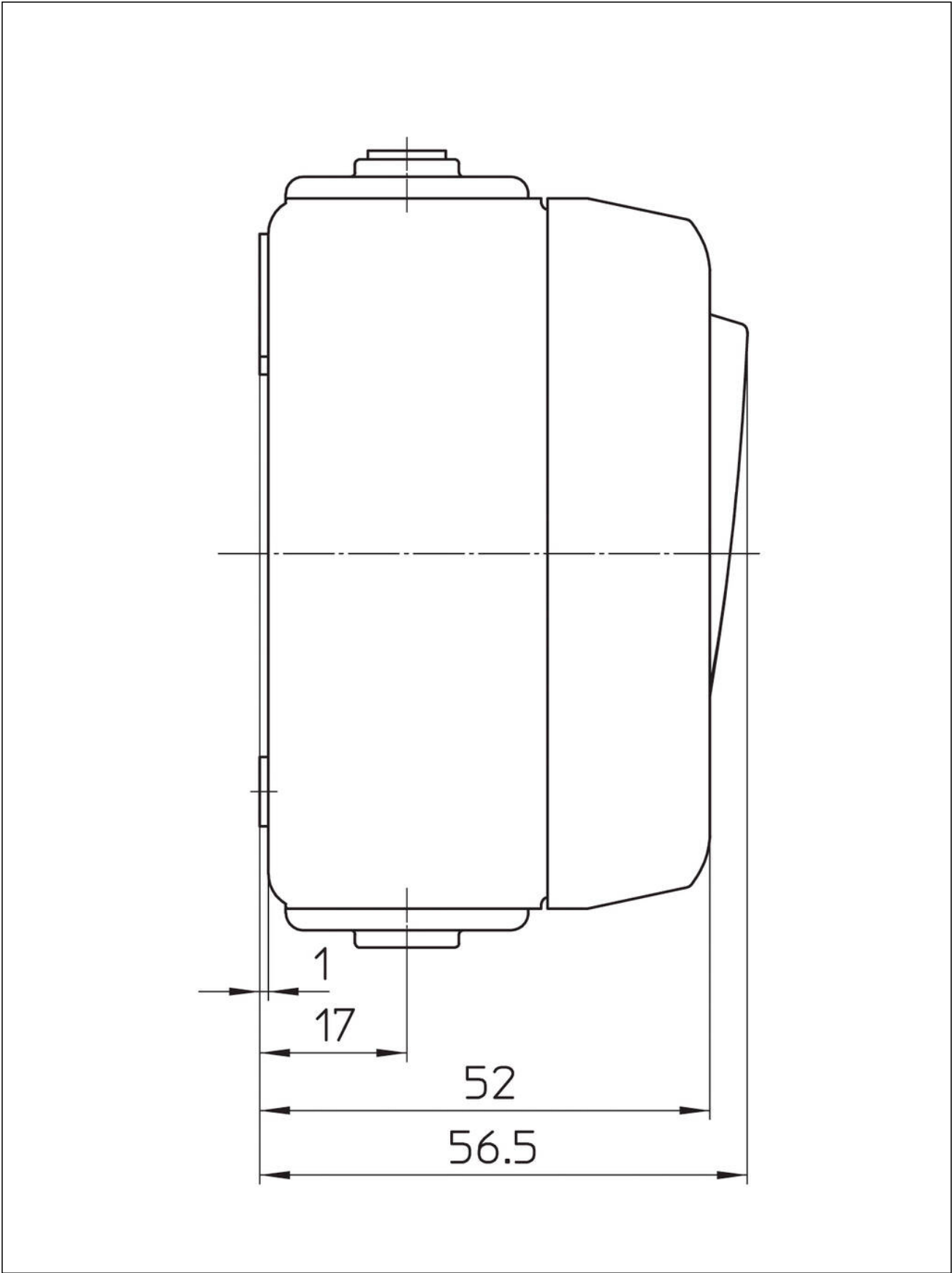
Your Contact:

WISKA Hoppmann GmbH

Kisdorfer Weg 28 · 24568 Kaltenkirchen · Germany

☎ +49-4191-508-0 · 📠 +49-4191-508-209

contact@wiska.de · www.wiska.com



Your Contact:
WISKA Hoppmann GmbH
Kisdorfer Weg 28 · 24568 Kaltenkirchen · Germany
☎ +49-4191-508-0 · 📠 +49-4191-508-209
contact@wiska.de · www.wiska.com