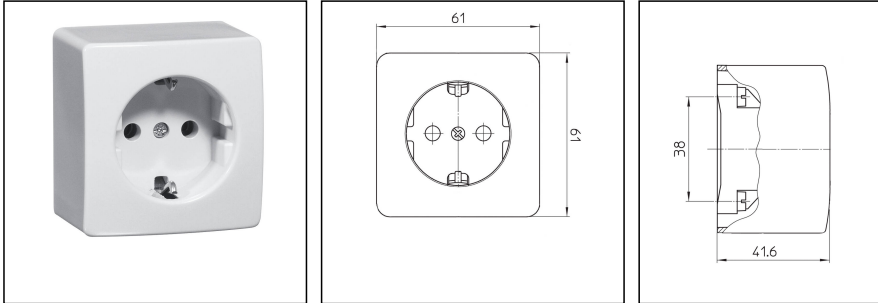


PH-SSS-16-NWT

SCHUKO socket surface mounting, plastic, white, IP20



Products may differ in size, colour and appearance to those shown. If you require further information or customisation, please contact us directly.



WISKA-Order no.	50105540
Type	PH-SSS-16-NWT
Voltage	250 V
Current	16 A
Protection class	IP20
Material	Urea moulding compound
External dimensions LxWxH	60x63x41,6mm
Socket insert	SCHUKO
Terminals/poles	2-pole + E
Weight	0,05 kg
Colour	Pure white, similar RAL 9010
Mounting	Surface mounting
Variations	on request
Tariff number	85366990

12.05.2026

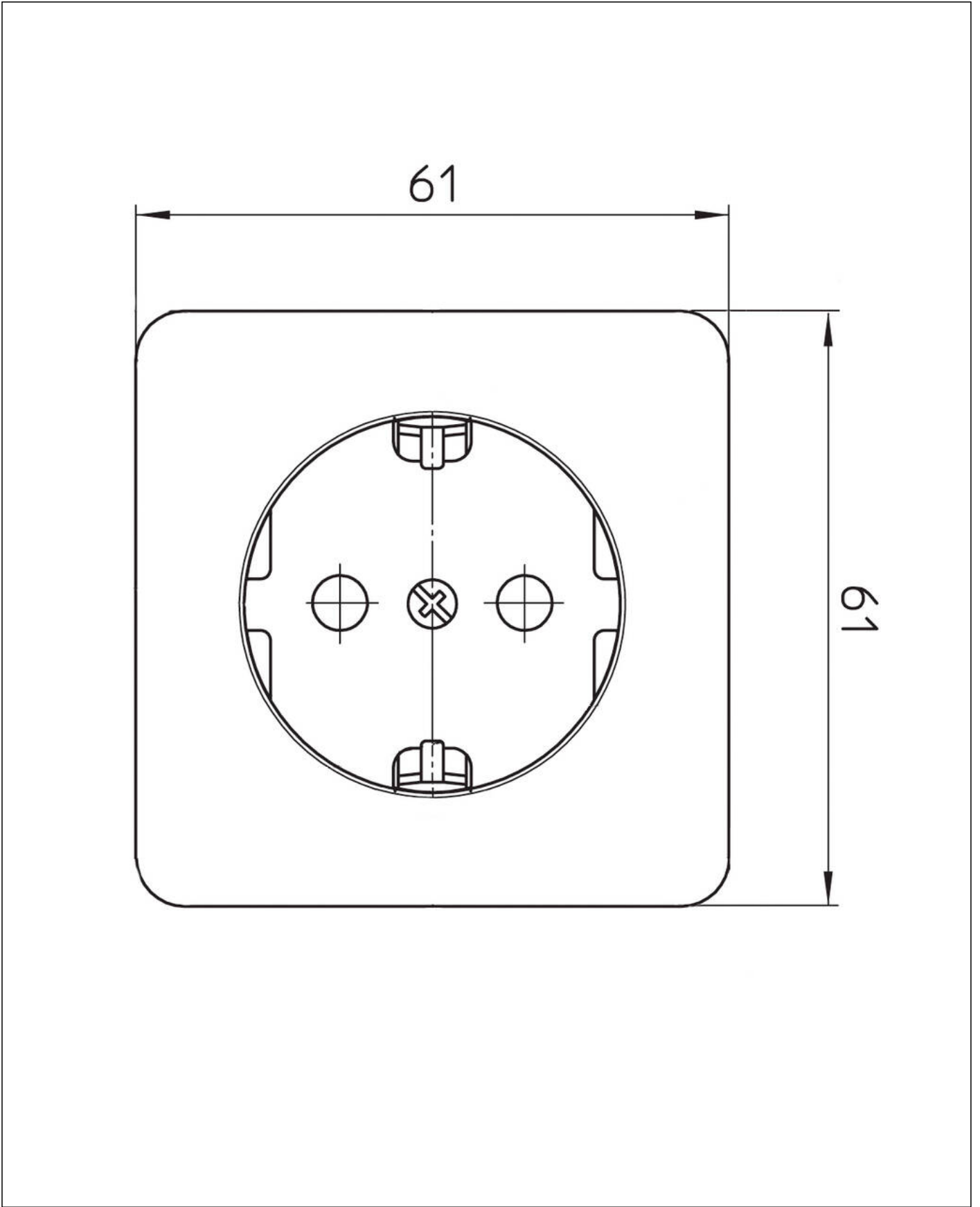
Your Contact:

WISKA Hoppmann GmbH

Kisdorfer Weg 28 · 24568 Kaltenkirchen · Germany

☎ +49-4191-508-0 · 📠 +49-4191-508-209

contact@wiska.de · www.wiska.com



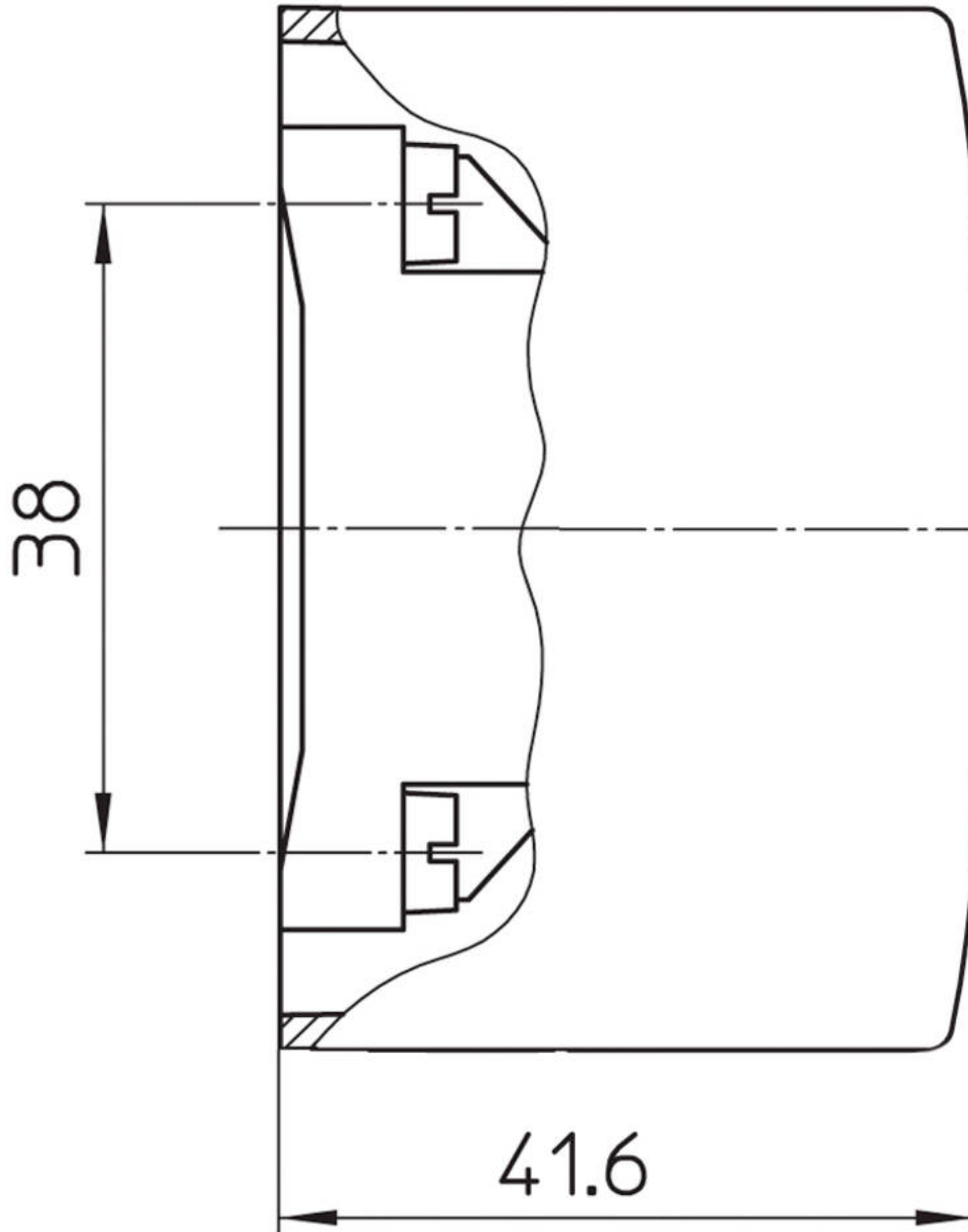
Your Contact:

WISKA Hoppmann GmbH

Kisdorfer Weg 28 · 24568 Kaltenkirchen · Germany

☎ +49-4191-508-0 · 📠 +49-4191-508-209

contact@wiska.de · www.wiska.com



Your Contact:

WISKA Hoppmann GmbH

Kisdorfer Weg 28 · 24568 Kaltenkirchen · Germany

☎ +49-4191-508-0 · 📠 +49-4191-508-209

contact@wiska.de · www.wiska.com