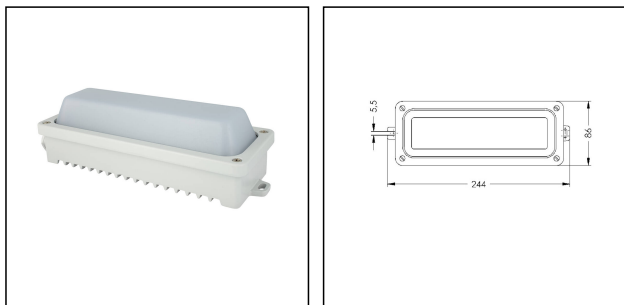



PL-Luminaire LED 3W 97430715612DC

LED Multi-purpose luminaire 3W 12V DC, Aluminium RAL 7035, Cover opal, IP67



Products may differ in size, colour and appearance to those shown. If you require further information or customisation, please contact us directly.



WISKA-Order no.	50106673
Type	PL-Luminaire LED 3W 97430715612DC
Material	Cast aluminium
Material globe/diffuser	Polycarbonate
Globe colour	Opal
Wattage	3 W
Voltage	12 V
Type of Voltage	DC
Temp. range min	-25 °C
Temp. range max	45 °C
Lightsource	LED
Lightsource incl.	Yes
Luminous flux	230 lm
Power supply, electronic	Low voltage 12VDC
Type of cable gland	PG16 / 12-14mm
Ø cable diameter min	12 mm
Ø cable diameter max	14 mm
Using for cable gland	
Equipment	Aluminium pressure screws PG16
Mounting	Surface mounting, Ceiling, Wall
Colour	RAL 7035
External dimensions LxWxH	244x86x69mm
Weight	0,74 kg
Surface	Powder coated
Approval	SGS

Your Contact:

WISKA Hoppmann GmbH

Kisdorfer Weg 28 · 24568 Kaltenkirchen · Germany

☎ +49-4191-508-0 · 📠 +49-4191-508-209

contact@wiska.de · www.wiska.com

Remarks:

- with inbuilt LED module
- luminous flux 229 lm
- 2 aluminium cable gland seals PG16 O=

Spare parts

SP-H042002 Lamp cover opal	22000537
H542150 Sealing PL-Luminaires - SE	50045626

12.05.2026

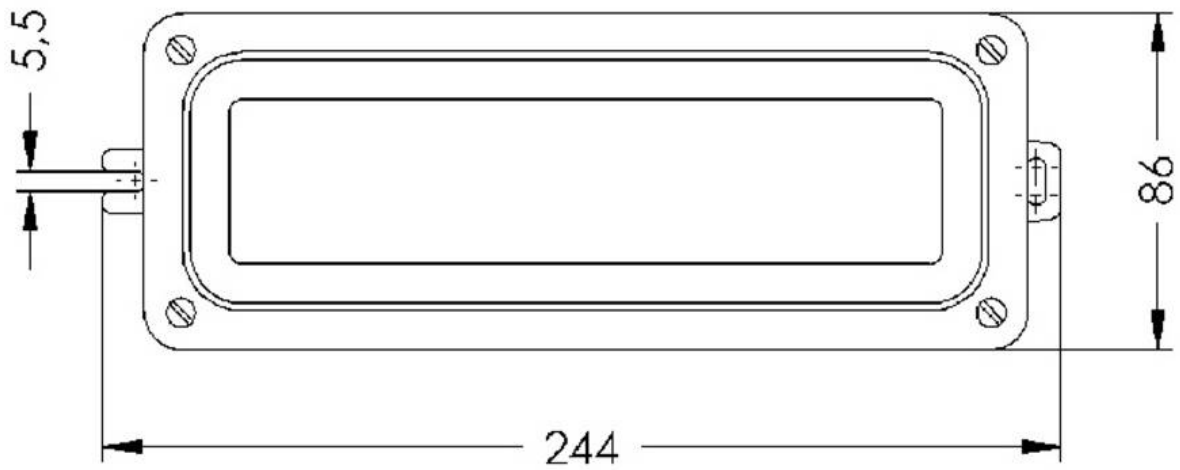
Your Contact:

WISKA Hoppmann GmbH

Kisdorfer Weg 28 · 24568 Kaltenkirchen · Germany

☎ +49-4191-508-0 · 📠 +49-4191-508-209

contact@wiska.de · www.wiska.com



Your Contact:

WISKA Hoppmann GmbH

Kisdorfer Weg 28 · 24568 Kaltenkirchen · Germany

☎ +49-4191-508-0 · 📠 +49-4191-508-209

contact@wiska.de · www.wiska.com