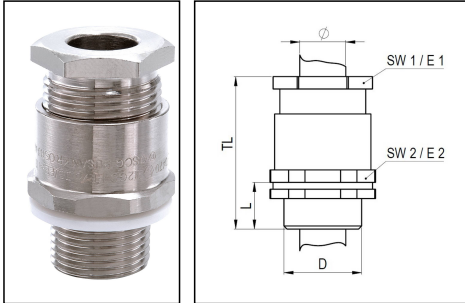


## OS-A2F-U 16X / M16

Ex d cable gland, brass nickel-plated, M16



Products may differ in size, colour and appearance to those shown. If you require further information or customisation, please contact us directly.



<b>Material cable gland</b>	Brass nickel-plated
<b>Material sealing gasket</b>	Silicone
<b>Temp. range min</b>	-60 °C
<b>Temp. range max</b>	110 °C
<b>Protection class</b>	IP66 / IP67
<b>Type of protection</b>	Ex tb, Ex eb, Ex db
<b>Ex-Certificate</b>	IECEX, ATEX
<b>Thread type</b>	M
<b>Ø Connection thread D</b>	16
<b>Lead</b>	1,5
<b>Length screw-in thread L</b>	15 mm
<b>Ø cable diameter min</b>	5 mm
<b>Ø cable diameter max</b>	10,3 mm
<b>Key width SW1</b>	19 mm
<b>Key width SW2</b>	24 mm
<b>Collar diameter E1</b>	22 mm
<b>Collar diameter E2</b>	26 mm
<b>Total length TL</b>	44 mm
<b>Install. torques fitting</b>	20 N m
<b>Install. torques cap nut</b>	6 N m
<b>Equipment</b>	incl. locknut, Incl. connection thread gasket
<b>Surface</b>	Nickel-plated
<b>Order no. nickel-plated</b>	50107569
<b>Type</b>	OS-A2F-U 16X / M16
<b>Packing unit</b>	1

Your Contact:

WISKA Hoppmann GmbH

Kisdorfer Weg 28 · 24568 Kaltenkirchen · Germany

☎ +49-4191-508-0 · 📠 +49-4191-508-209

contact@wiska.de · www.wiska.com

<b>Tariff number</b>	74198090
<b>EAN number</b>	4007686137149
<b>ETIM-Classification</b>	EC000441

#### Recommended accessories

<b>OSET 16 / M16</b>	50065634
<b>OSSH-B-16</b>	50065642

23.05.2026

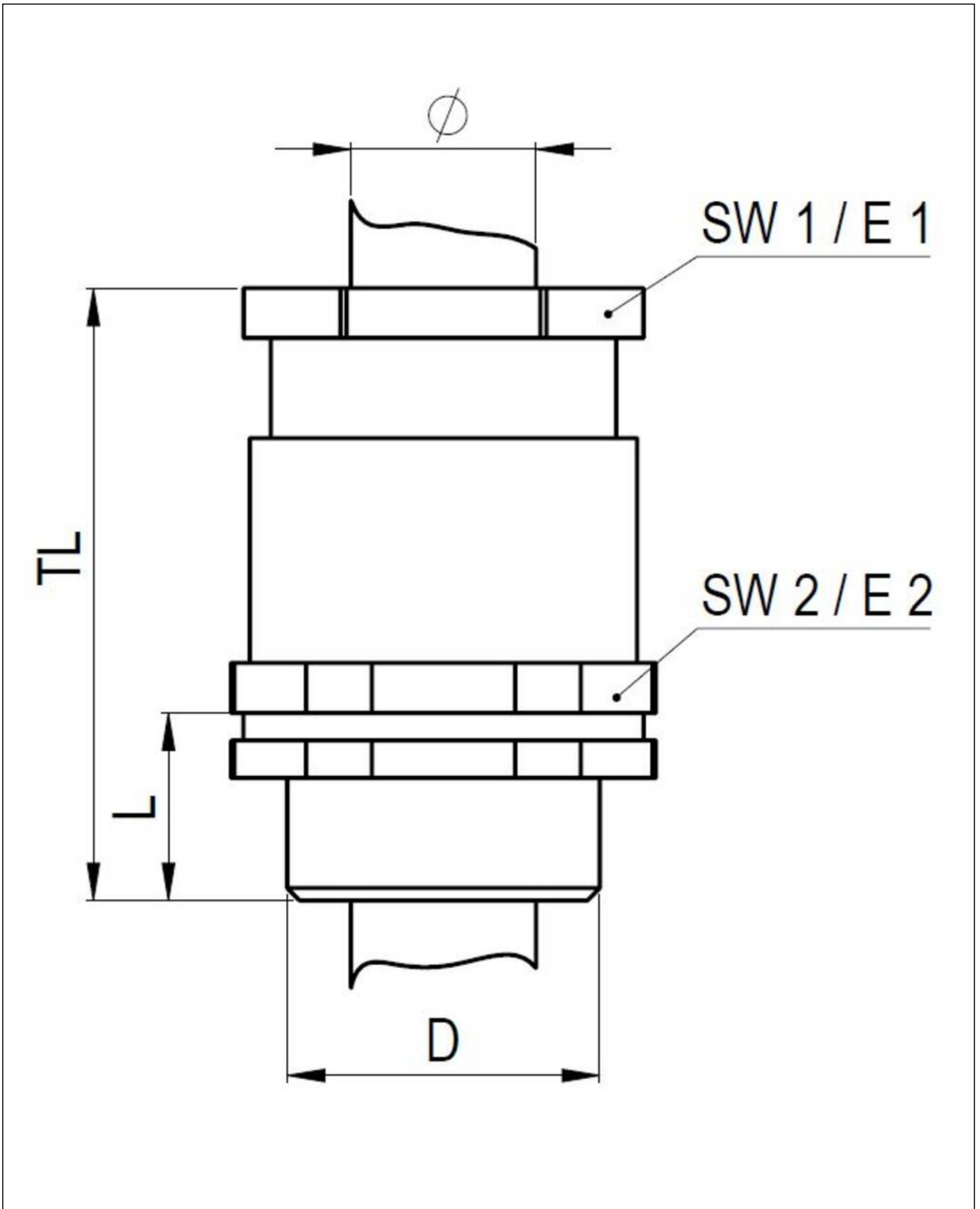
Your Contact:

**WISKA Hoppmann GmbH**

Kisdorfer Weg 28 · 24568 Kaltenkirchen · Germany

☎ +49-4191-508-0 · 📠 +49-4191-508-209

contact@wiska.de · www.wiska.com



Your Contact:

**WISKA Hoppmann GmbH**

Kisdorfer Weg 28 · 24568 Kaltenkirchen · Germany

☎ +49-4191-508-0 · 📠 +49-4191-508-209

contact@wiska.de · www.wiska.com