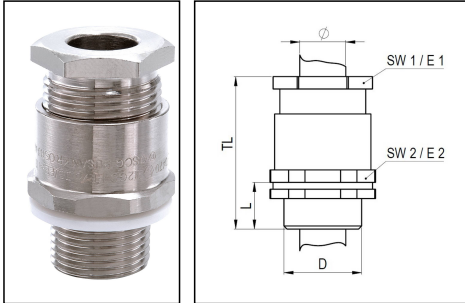


OS-A2F-U 32 / M32

Ex d cable gland, brass nickel-plated, M32



Products may differ in size, colour and appearance to those shown. If you require further information or customisation, please contact us directly.



Material cable gland	Brass nickel-plated
Material sealing gasket	Silicone
Temp. range min	-60 °C
Temp. range max	110 °C
Protection class	IP66 / IP67
Type of protection	Ex eb, Ex tb, Ex db
Ex-Certificate	IECEX, ATEX
Thread type	M
Ø Connection thread D	32
Lead	1,5
Length screw-in thread L	15 mm
Ø cable diameter min	17 mm
Ø cable diameter max	26,5 mm
Key width SW1	34 mm
Key width SW2	39 mm
Collar diameter E1	39 mm
Collar diameter E2	42 mm
Total length TL	54 mm
Install. torques fitting	25 N m
Install. torques cap nut	11 N m
Equipment	incl. locknut, Incl. connection thread gasket
Surface	Nickel-plated
Order no. nickel-plated	50107572
Type	OS-A2F-U 32 / M32
Packing unit	1

Your Contact:

WISKA Hoppmann GmbH

Kisdorfer Weg 28 · 24568 Kaltenkirchen · Germany

☎ +49-4191-508-0 · 📠 +49-4191-508-209

contact@wiska.de · www.wiska.com

Tariff number	74198090
EAN number	4007686137194
ETIM-Classification	EC000441

Recommended accessories

OSET 32 / M32	50065637
OSSH-B-32	50065645

23.05.2026

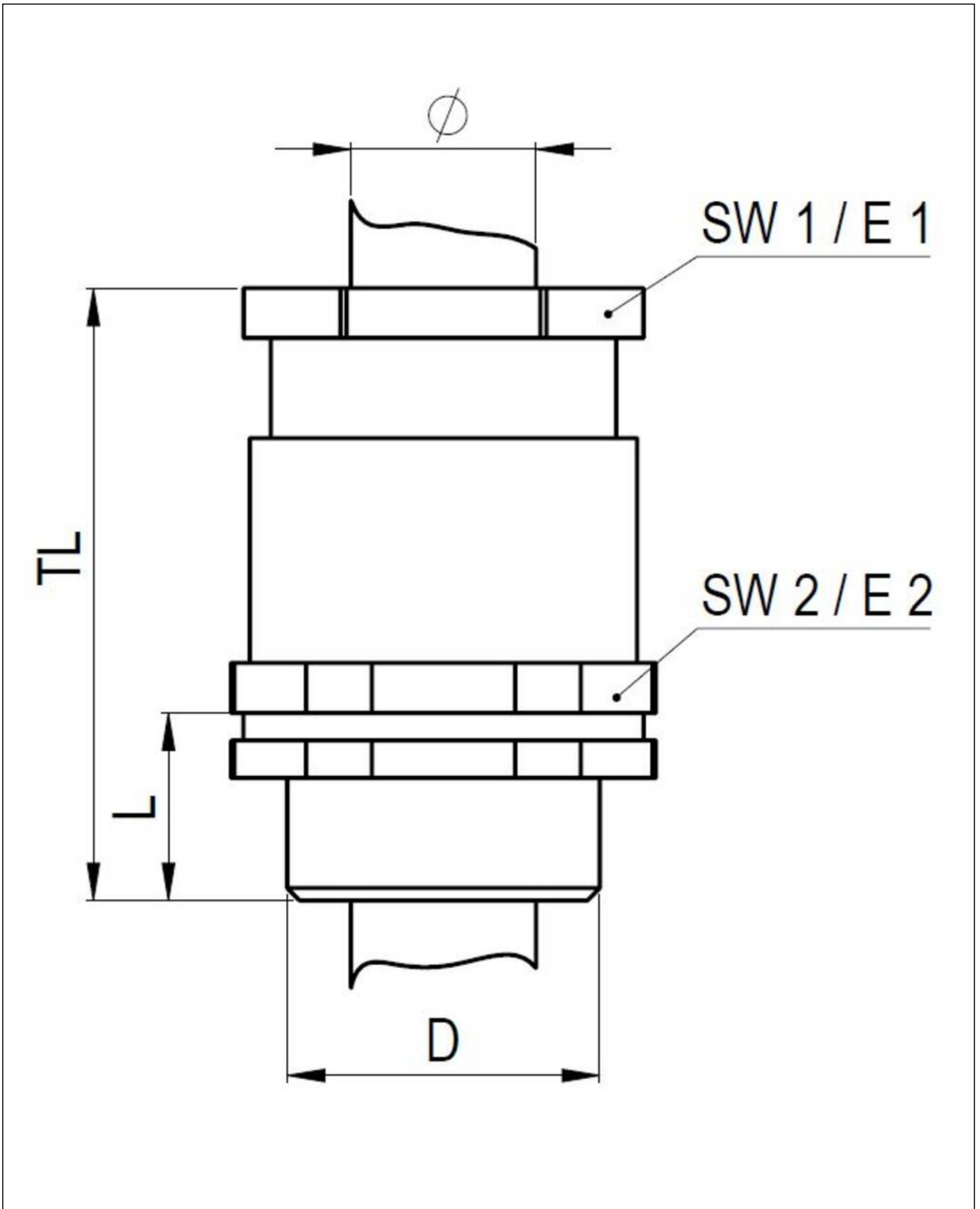
Your Contact:

WISKA Hoppmann GmbH

Kisdorfer Weg 28 · 24568 Kaltenkirchen · Germany

☎ +49-4191-508-0 · 📠 +49-4191-508-209

contact@wiska.de · www.wiska.com



Your Contact:

WISKA Hoppmann GmbH

Kisdorfer Weg 28 · 24568 Kaltenkirchen · Germany

☎ +49-4191-508-0 · 📠 +49-4191-508-209

contact@wiska.de · www.wiska.com