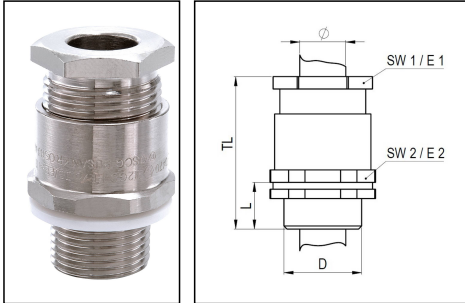


OS-A2F-U 63 / M63

Ex d cable gland, brass nickel-plated, M63



Products may differ in size, colour and appearance to those shown. If you require further information or customisation, please contact us directly.



Material cable gland	Brass nickel-plated
Material sealing gasket	Silicone
Temp. range min	-60 °C
Temp. range max	110 °C
Protection class	IP66 / IP67
Type of protection	Ex tb, Ex eb, Ex db
Ex-Certificate	IECEX, ATEX
Thread type	M
Ø Connection thread D	63
Lead	1,5
Length screw-in thread L	15 mm
Ø cable diameter min	39 mm
Ø cable diameter max	51 mm
Key width SW1	68 mm
Key width SW2	73 mm
Collar diameter E1	78 mm
Collar diameter E2	78 mm
Total length TL	68 mm
Install. torques fitting	35 N m
Install. torques cap nut	62 N m
Equipment	incl. locknut, Incl. connection thread gasket
Surface	Nickel-plated
Order no. nickel-plated	50107575
Type	OS-A2F-U 63 / M63
Packing unit	1

Your Contact:

WISKA Hoppmann GmbH

Kisdorfer Weg 28 · 24568 Kaltenkirchen · Germany

☎ +49-4191-508-0 · 📠 +49-4191-508-209

contact@wiska.de · www.wiska.com

Tariff number	74198090
EAN number	4007686137224
ETIM-Classification	EC000441

Recommended accessories

OSET 63 / M63	50065640
OSSH-B-63	50065648

23.05.2026

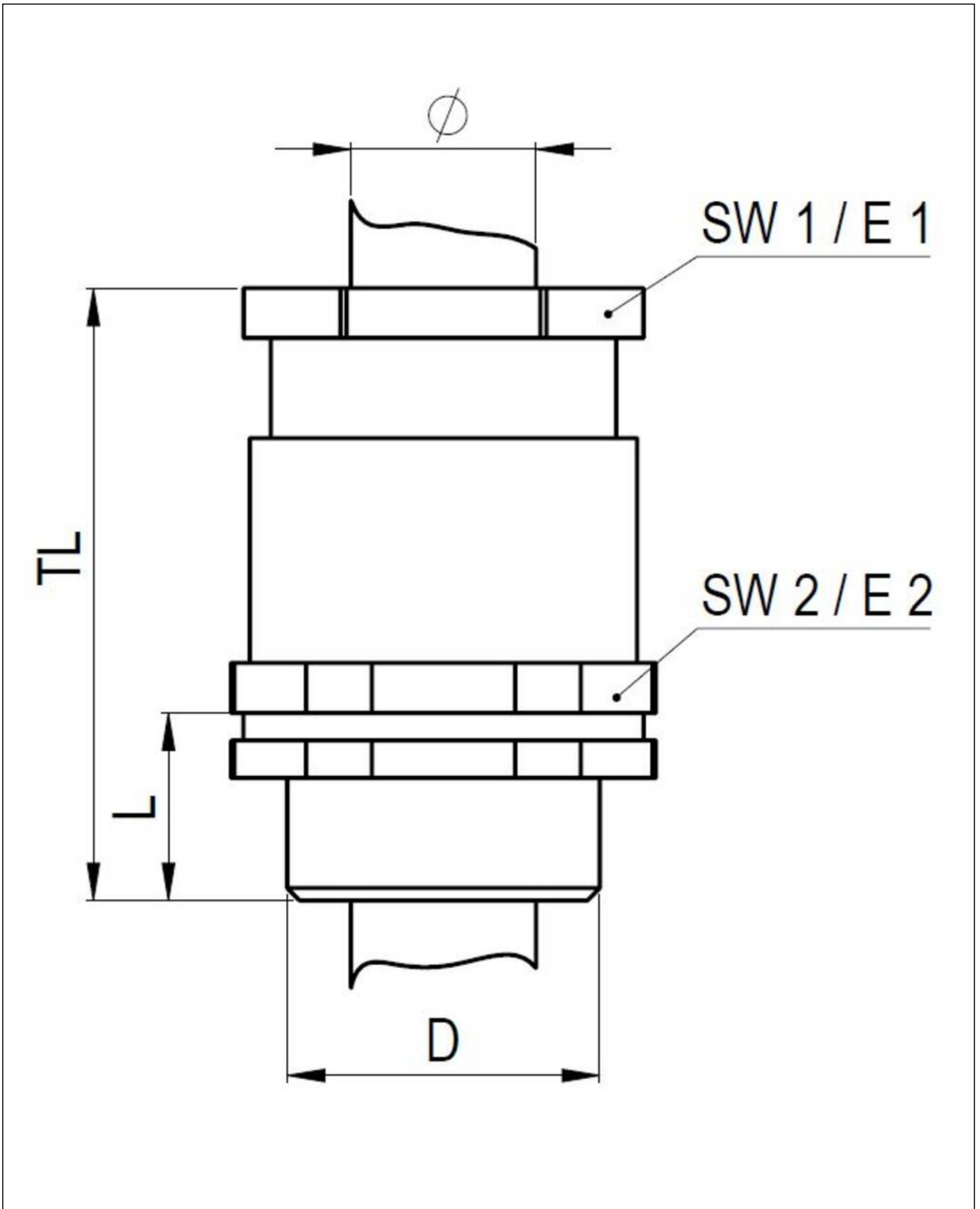
Your Contact:

WISKA Hoppmann GmbH

Kisdorfer Weg 28 · 24568 Kaltenkirchen · Germany

☎ +49-4191-508-0 · 📠 +49-4191-508-209

contact@wiska.de · www.wiska.com



Your Contact:

WISKA Hoppmann GmbH

Kisdorfer Weg 28 · 24568 Kaltenkirchen · Germany

☎ +49-4191-508-0 · 📠 +49-4191-508-209

contact@wiska.de · www.wiska.com