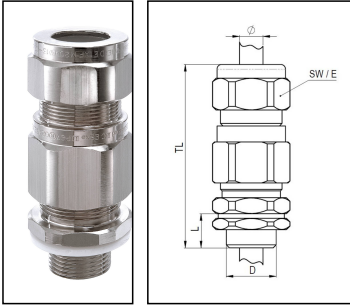


OS-E1UF 25 / M25

Ex d cable gland, brass nickel-plated, M25



Products may differ in size, colour and appearance to those shown. If you require further information or customisation, please contact us directly.



Material cable gland	Brass nickel-plated
Material sealing gasket	Silicone
Temp. range min	-60 °C
Temp. range max	110 °C
Protection class	IP66 / IP67
Type of protection	Ex eb, Ex tb, Ex db
Ex-Certificate	IECEX, ATEX
Thread type	M
Ø Connection thread D	25
Lead	1,5
Length screw-in thread L	15 mm
Ø cable diameter min	17 mm
Ø cable diameter max	26 mm
Ø cable below cable shield max	13 mm - 19,6 mm
Key width SW	37 mm
Collar diameter (E)	40 mm
Total length TL	79 mm
Equipment	Incl. connection thread gasket, incl. locknut
Surface	Nickel-plated
Order no. nickel-plated	50107581
Type	OS-E1UF 25 / M25
Packing unit	1
Tariff number	74198090
EAN number	4007686137286
ETIM-Classification	EC000441

Your Contact:

WISKA Hoppmann GmbH

Kisdorfer Weg 28 · 24568 Kaltenkirchen · Germany

☎ +49-4191-508-0 · 📠 +49-4191-508-209

contact@wiska.de · www.wiska.com

Recommended accessories

OSSH-A-25	50065628
OSET 25 / M25	50065636

23.05.2026

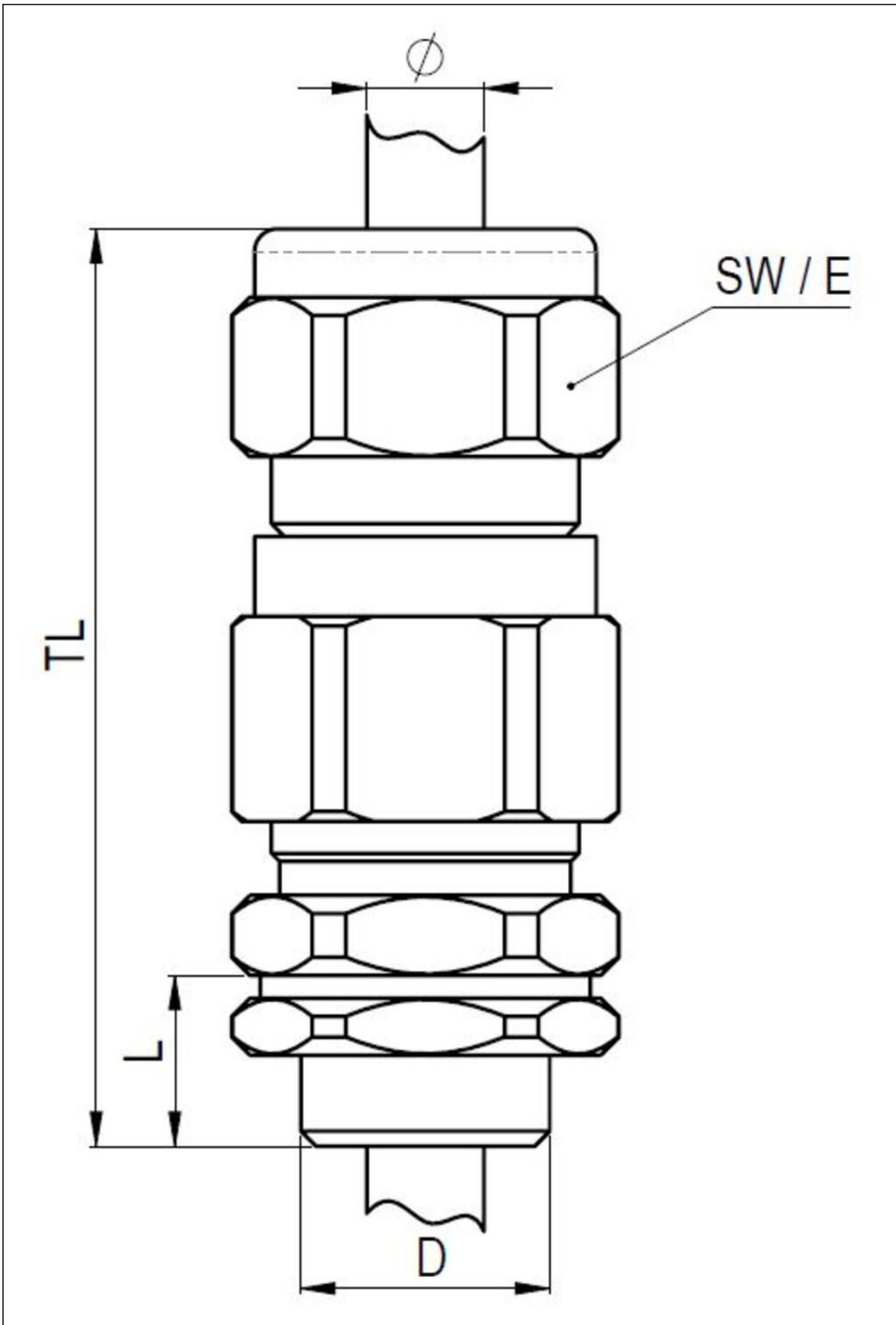
Your Contact:

WISKA Hoppmann GmbH

Kisdorfer Weg 28 · 24568 Kaltenkirchen · Germany

 +49-4191-508-0 ·  +49-4191-508-209

contact@wiska.de · www.wiska.com



Your Contact:

WISKA Hoppmann GmbH

Kisdorfer Weg 28 · 24568 Kaltenkirchen · Germany

☎ +49-4191-508-0 · 📠 +49-4191-508-209

contact@wiska.de · www.wiska.com