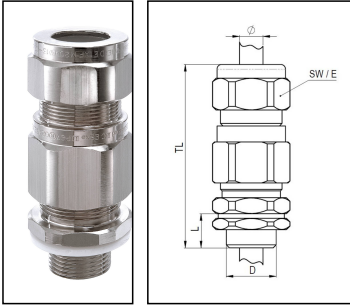


OS-E1UF 63 / M63

Ex d cable gland, brass nickel-plated, M63



Products may differ in size, colour and appearance to those shown. If you require further information or customisation, please contact us directly.



| | |
|---------------------------------------|---|
| Material cable gland | Brass nickel-plated |
| Material sealing gasket | Silicone |
| Temp. range min | -60 °C |
| Temp. range max | 110 °C |
| Protection class | IP66 / IP67 |
| Type of protection | Ex eb, Ex tb, Ex db |
| Ex-Certificate | IECEX, ATEX |
| Thread type | M |
| Ø Connection thread D | 63 |
| Lead | 1,5 |
| Length screw-in thread L | 15 mm |
| Ø cable diameter min | 45 mm |
| Ø cable diameter max | 60 mm |
| Ø cable below cable shield max | 39 mm - 50 mm |
| Key width SW | 78 mm |
| Collar diameter (E) | 82 mm |
| Total length TL | 108 mm |
| Equipment | Incl. connection thread gasket, incl. locknut |
| Surface | Nickel-plated |
| Order no. nickel-plated | 50107585 |
| Type | OS-E1UF 63 / M63 |
| Packing unit | 1 |
| Tariff number | 74198090 |
| EAN number | 4007686137323 |
| ETIM-Classification | EC000441 |

Your Contact:

WISKA Hoppmann GmbH

Kisdorfer Weg 28 · 24568 Kaltenkirchen · Germany

☎ +49-4191-508-0 · 📠 +49-4191-508-209

contact@wiska.de · www.wiska.com

Recommended accessories

| | |
|----------------------|----------|
| OSSH-A-63 | 50065632 |
| OSET 63 / M63 | 50065640 |

23.05.2026

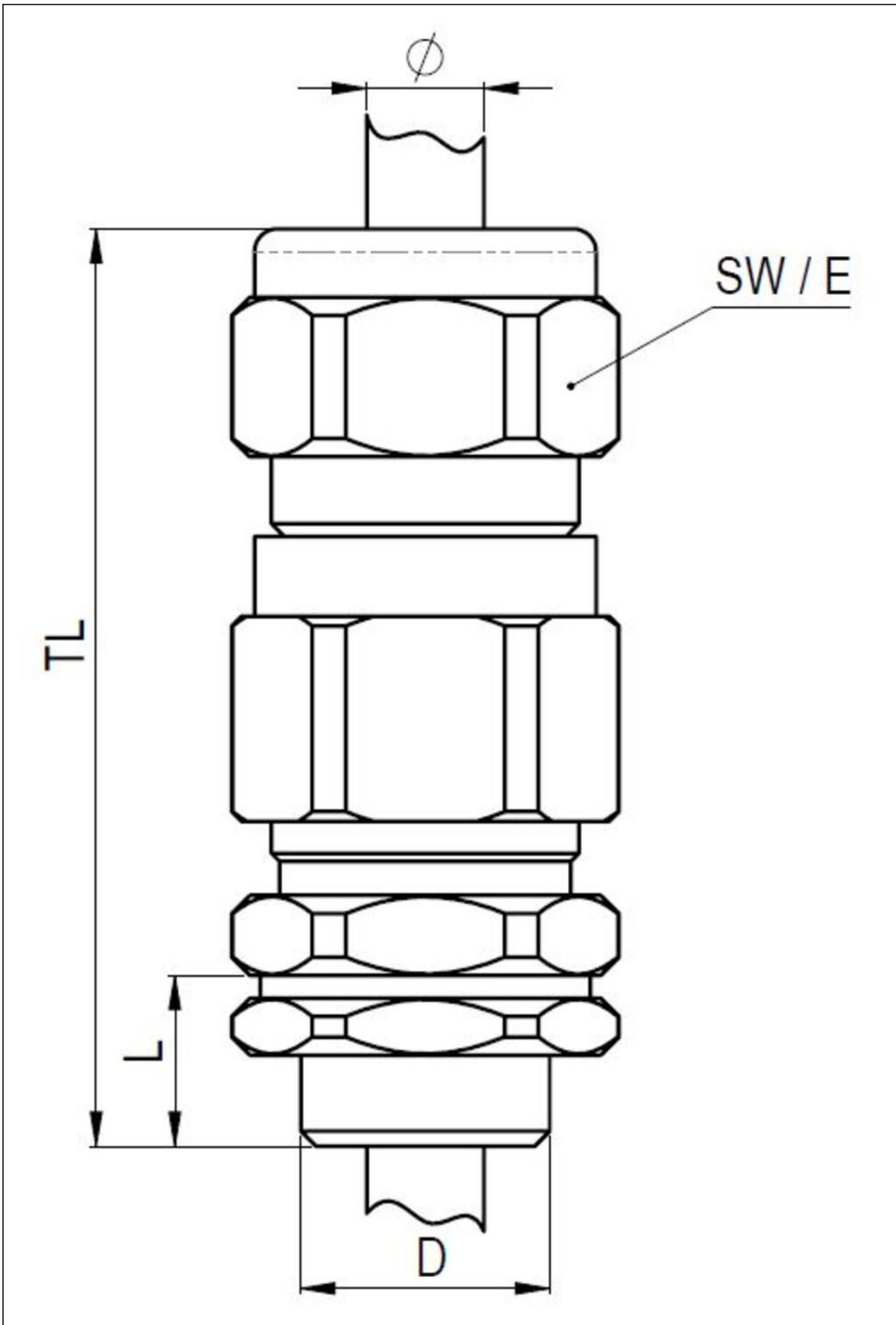
Your Contact:

WISKA Hoppmann GmbH

Kisdorfer Weg 28 · 24568 Kaltenkirchen · Germany

☎ +49-4191-508-0 · 📠 +49-4191-508-209

contact@wiska.de · www.wiska.com



Your Contact:
WISKA Hoppmann GmbH
Kisdorfer Weg 28 · 24568 Kaltenkirchen · Germany
☎ +49-4191-508-0 · 📠 +49-4191-508-209
contact@wiska.de · www.wiska.com

Other technical data on request / subject to change without notice