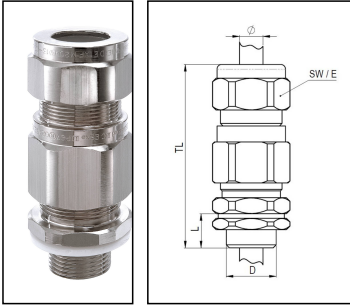


## OS-E1UF 75X / M75

Ex d cable gland, brass nickel-plated, M75



Products may differ in size, colour and appearance to those shown. If you require further information or customisation, please contact us directly.



|                                |   |
|--------------------------------|---|
| Material cable gland           | Brass nickel-plated                           |
| Material sealing gasket        | Silicone                                      |
| Temp. range min                | -60 °C  |
| Temp. range max                | 110 °C  |
| Protection class               | IP66 / IP67                                   |
| Type of protection             | Ex tb, Ex eb, Ex db                           |
| Ex-Certificate                 | IECEX, ATEX                                   |
| Thread type                    | M   |
| Ø Connection thread D          | 75  |
| Lead                           | 1,5   |
| Length screw-in thread L       | 20 mm   |
| Ø cable diameter min           | 66,1 mm                                       |
| Ø cable diameter max           | 79 mm   |
| Ø cable below cable shield max | 59 mm - 67 mm                                 |
| Key width SW                   | 98 mm   |
| Collar diameter (E)            | 106 mm  |
| Total length TL                | 125 mm  |
| Equipment                      | incl. locknut, Incl. connection thread gasket |
| Surface                        | Nickel-plated                                 |
| Order no. nickel-plated        | 50107588                                      |
| Type                           | OS-E1UF 75X / M75                             |
| Packing unit                   | 1   |
| Tariff number                  | 74198090                                      |
| EAN number                     | 4007686137354                                 |
| ETIM-Classification            | EC000441                                      |

Your Contact:

WISKA Hoppmann GmbH

Kisdorfer Weg 28 · 24568 Kaltenkirchen · Germany

☎ +49-4191-508-0 · 📠 +49-4191-508-209

contact@wiska.de · www.wiska.com

**Recommended accessories**

|                      |          |
|----------------------|----------|
| <b>OSSH-A-75</b>     | 50065633 |
| <b>OSET 75 / M75</b> | 50065641 |

23.05.2026

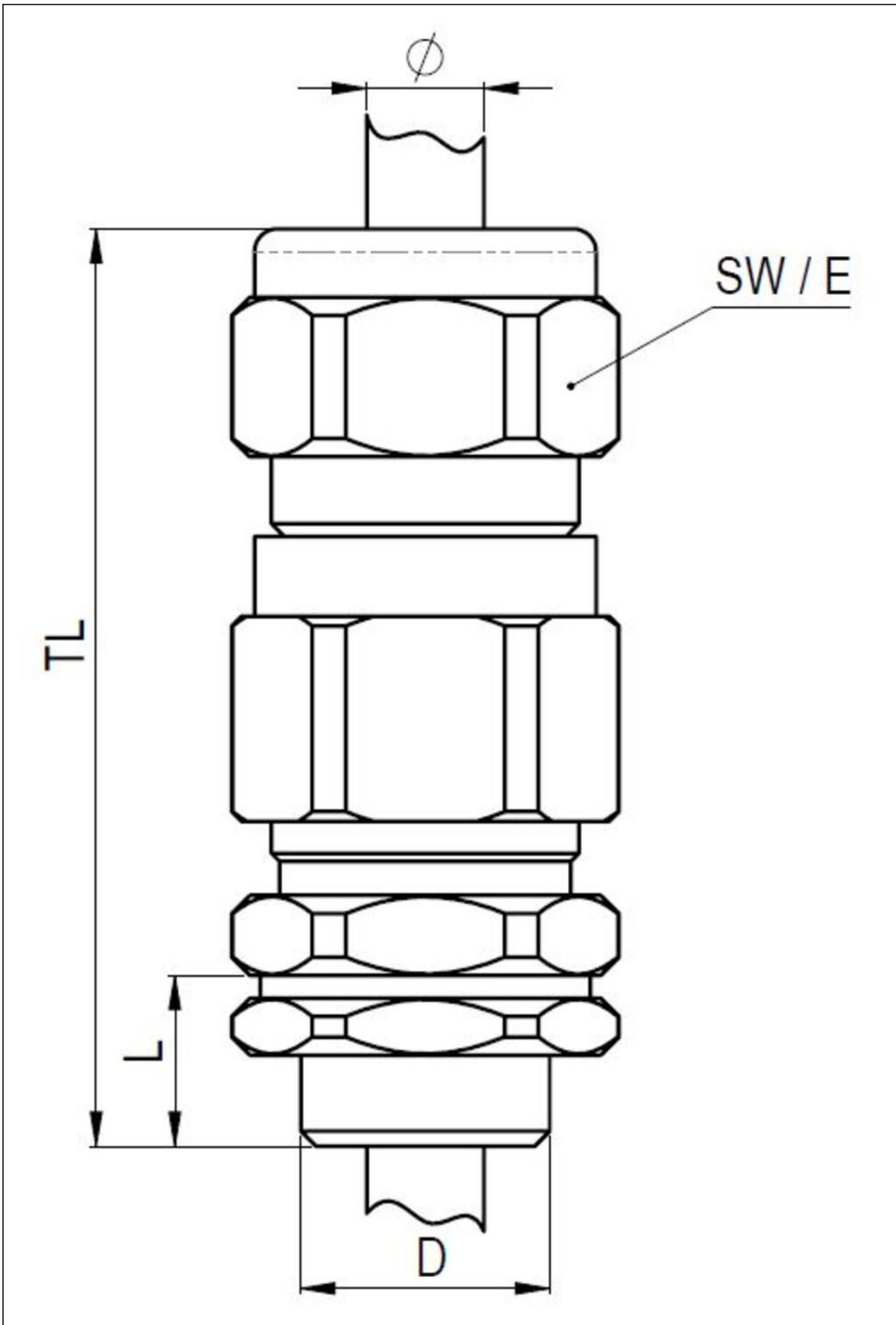
Your Contact:

**WISKA Hoppmann GmbH**

Kisdorfer Weg 28 · 24568 Kaltenkirchen · Germany

☎ +49-4191-508-0 · 📠 +49-4191-508-209

contact@wiska.de · www.wiska.com



Your Contact:

**WISKA Hoppmann GmbH**

Kisdorfer Weg 28 · 24568 Kaltenkirchen · Germany

☎ +49-4191-508-0 · 📠 +49-4191-508-209

contact@wiska.de · www.wiska.com