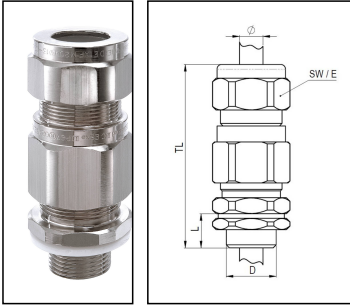


OS-E1UF 20 / NPT 1/2"

Ex d cable gland, brass nickel-plated, NPT 1/2"



Products may differ in size, colour and appearance to those shown. If you require further information or customisation, please contact us directly.



Material cable gland	Brass nickel-plated
Material sealing gasket	Silicone
Temp. range min	-60 °C
Temp. range max	110 °C
Protection class	IP66 / IP67
Type of protection	Ex db, Ex eb, Ex tb
Ex-Certificate	ATEX, IECEx
Thread type	NPT
Ø Connection thread D	1/2"
Length screw-in thread L	15 mm
Ø cable diameter min	13,2 mm
Ø cable diameter max	20,5 mm
Ø cable below cable shield max	7,5 mm - 15,2 mm
Key width SW	31 mm
Collar diameter (E)	34 mm
Total length TL	74 mm
WISKA-Order no.	50110128
Type	OS-E1UF 20 / NPT 1/2"
Packing unit	1
Tariff number	74198090
ETIM-Classification	EC000441

23.05.2026

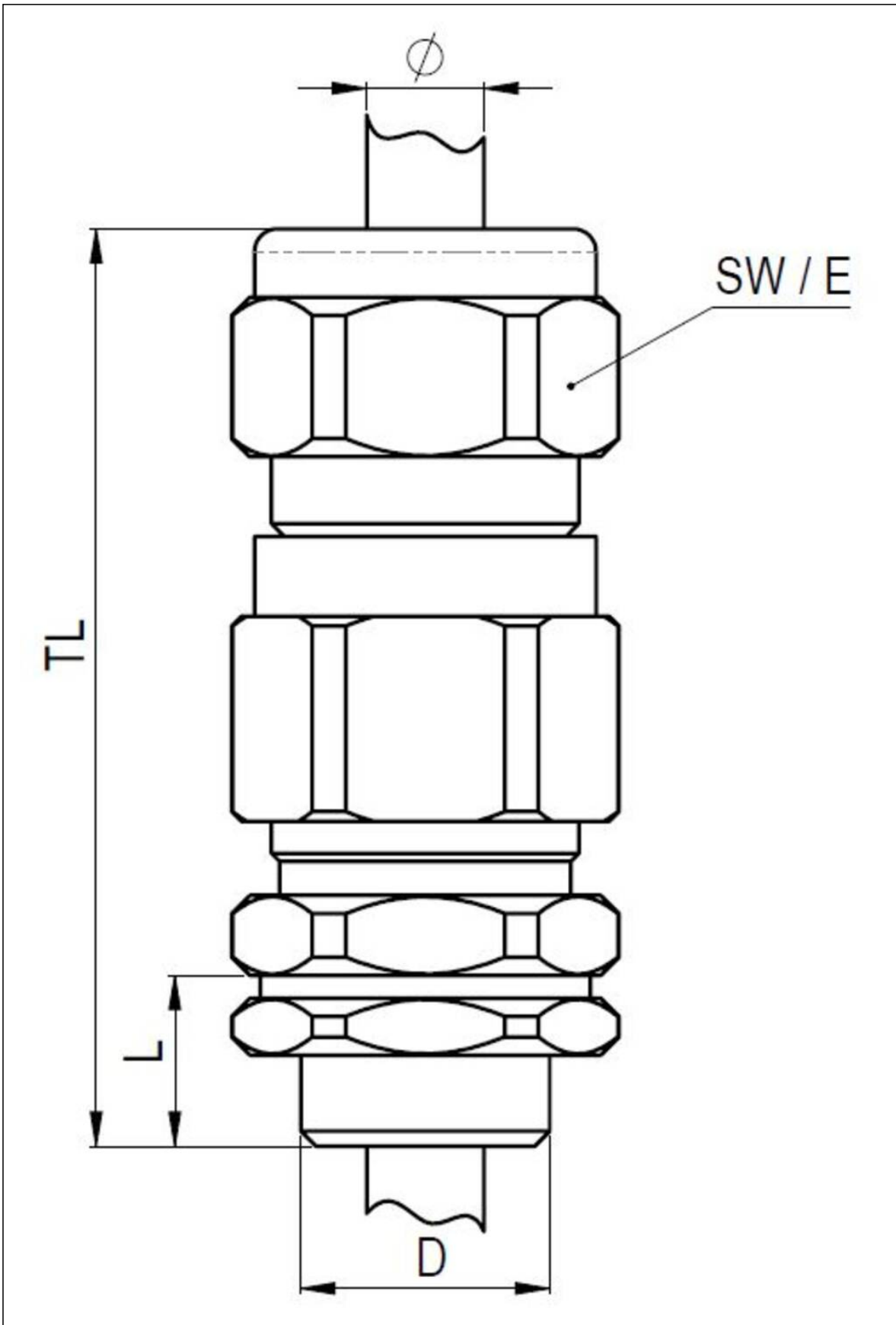
Your Contact:

WISKA Hoppmann GmbH

Kisdorfer Weg 28 · 24568 Kaltenkirchen · Germany

☎ +49-4191-508-0 · 📠 +49-4191-508-209

contact@wiska.de · www.wiska.com



Your Contact:
WISKA Hoppmann GmbH
Kisdorfer Weg 28 · 24568 Kaltenkirchen · Germany
☎ +49-4191-508-0 · 📠 +49-4191-508-209
contact@wiska.de · www.wiska.com