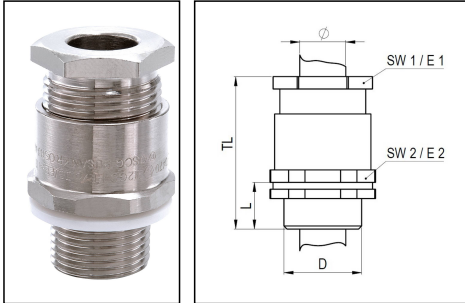


OS-A2F-U 20 / NPT 1/2

Ex d cable gland, brass nickel-plated, NPT 1/2"



Products may differ in size, colour and appearance to those shown. If you require further information or customisation, please contact us directly.



Material cable gland	Brass nickel-plated
Material sealing gasket	Silicone
Temp. range min	-60 °C
Temp. range max	110 °C
Protection class	IP66 / IP67
Type of protection	Ex db, Ex eb, Ex tb
Ex-Certificate	ATEX, IECEx
Thread type	NPT
Ø Connection thread D	1/2"
Length screw-in thread L	15 mm
Ø cable diameter min	9 mm
Ø cable diameter max	15,3 mm
Key width SW1	24 mm
Key width SW2	27 mm
Collar diameter E1	28 mm
Collar diameter E2	29 mm
Total length TL	49 mm
Install. torques fitting	20 N m
Install. torques cap nut	9,4 N m
Equipment	Incl. connection thread gasket, incl. locknut
Surface	Nickel-plated
Order no. nickel-plated	50110129
Type	OS-A2F-U 20 / NPT 1/2
Packing unit	1
Tariff number	74198090

Your Contact:

WISKA Hoppmann GmbH

Kisdorfer Weg 28 · 24568 Kaltenkirchen · Germany

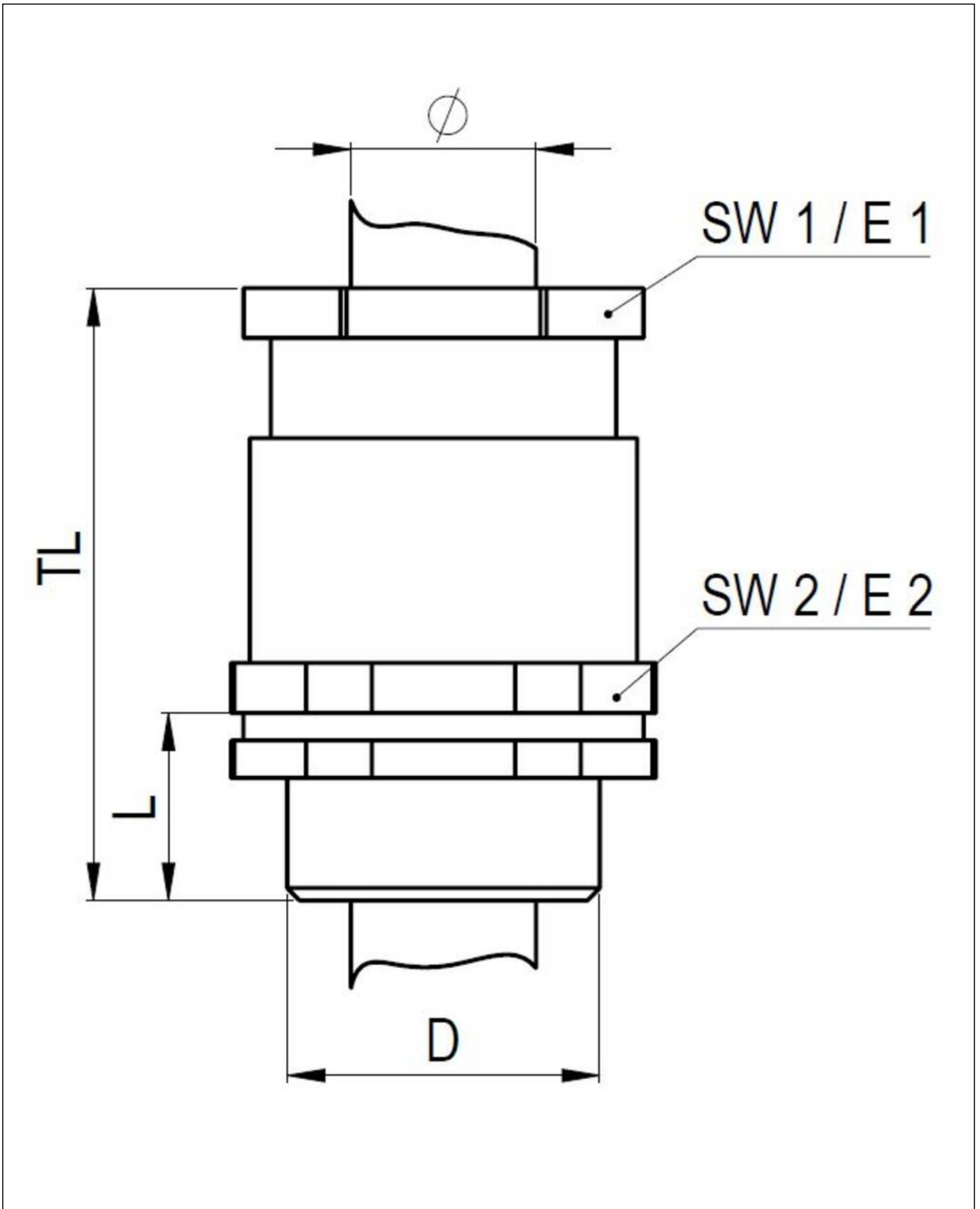
☎ +49-4191-508-0 · 📠 +49-4191-508-209

contact@wiska.de · www.wiska.com

EAN number	4007686314212
ETIM-Classification	EC000441

23.05.2026

Your Contact:
WISKA Hoppmann GmbH
Kisdorfer Weg 28 · 24568 Kaltenkirchen · Germany
☎ +49-4191-508-0 · 📠 +49-4191-508-209
contact@wiska.de · www.wiska.com



Your Contact:

WISKA Hoppmann GmbH

Kisdorfer Weg 28 · 24568 Kaltenkirchen · Germany

☎ +49-4191-508-0 · 📠 +49-4191-508-209

contact@wiska.de · www.wiska.com